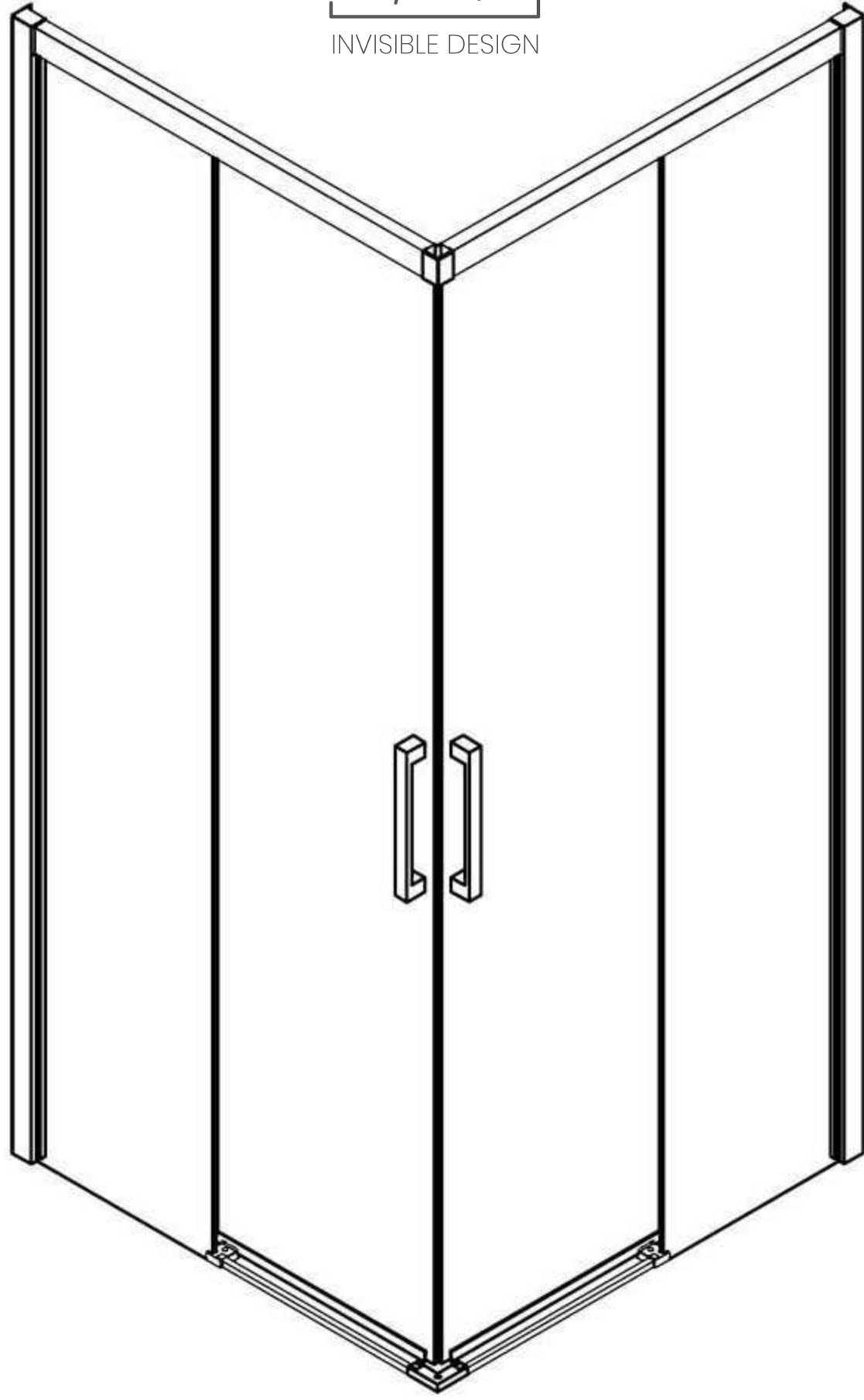
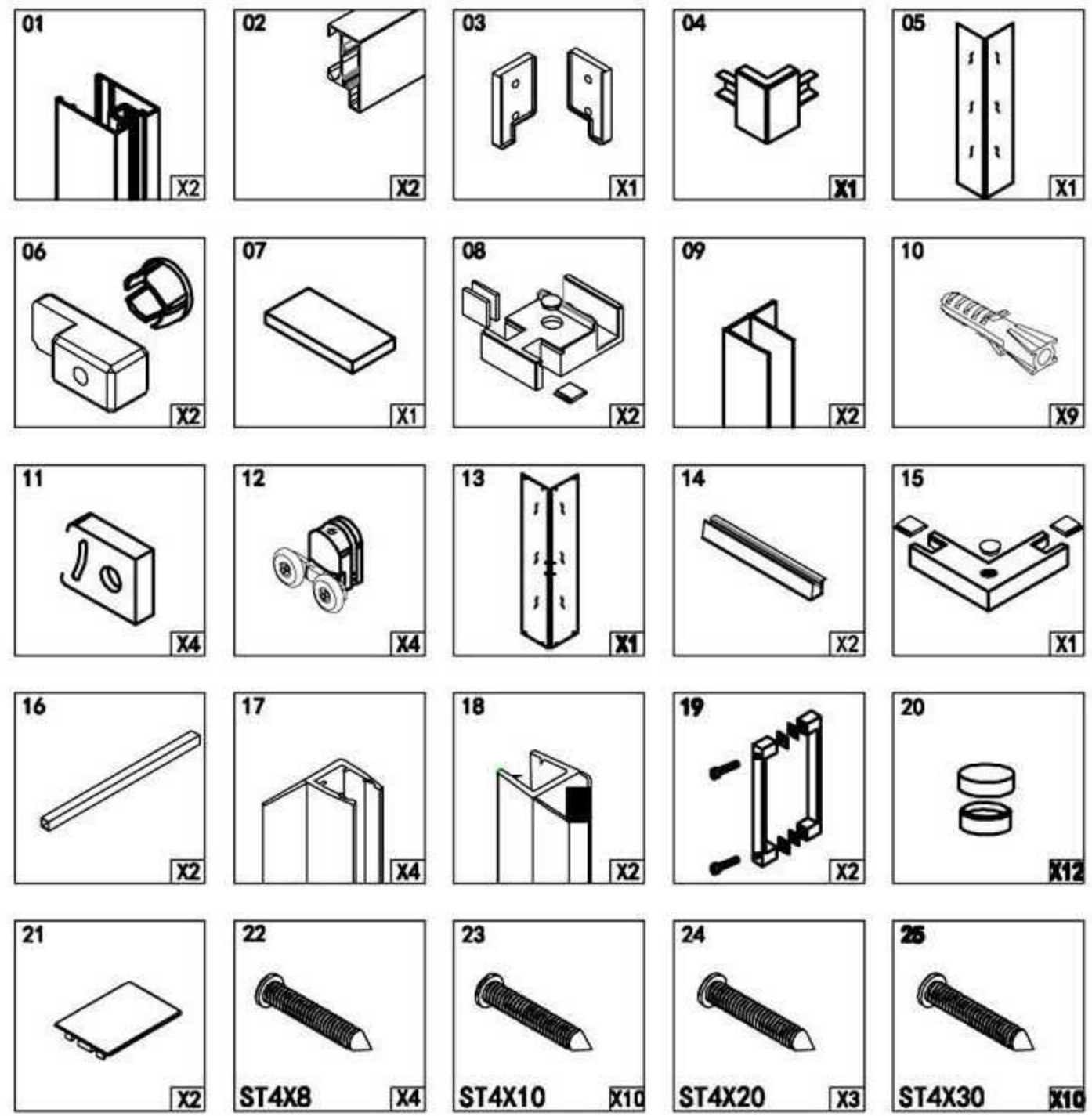
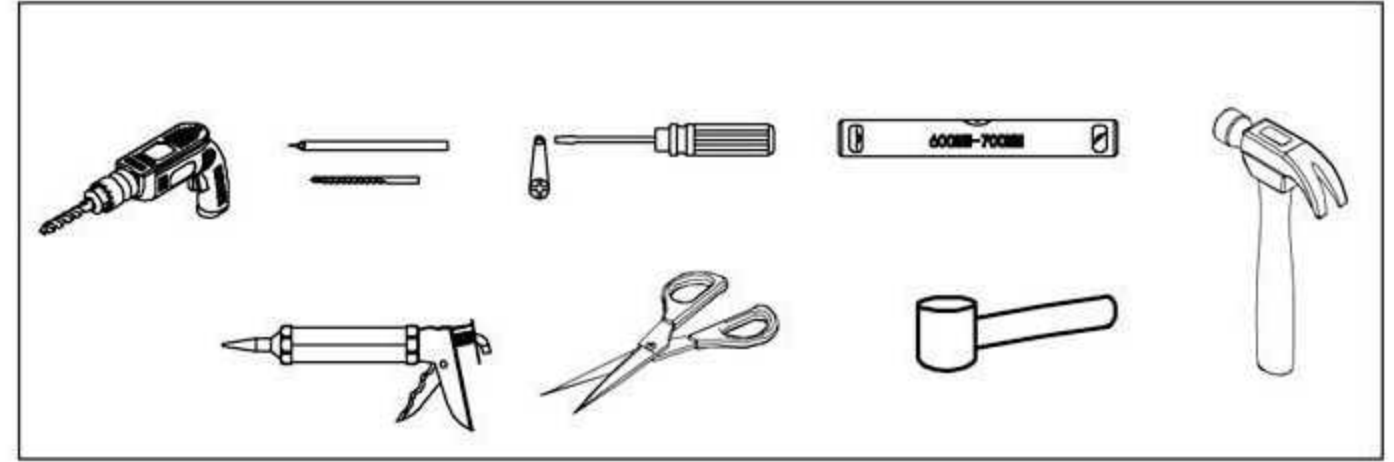


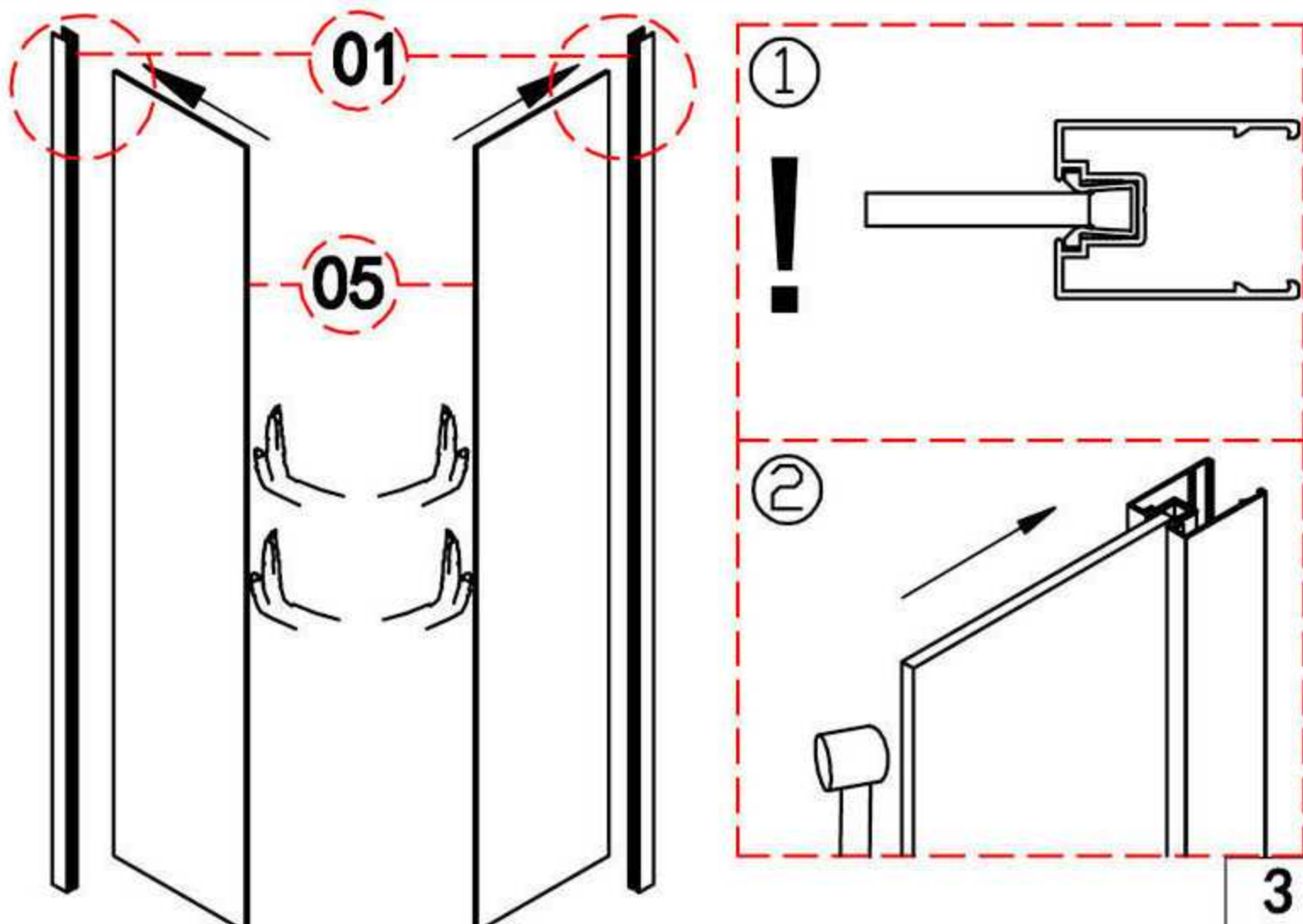
Split
INVISIBLE DESIGN



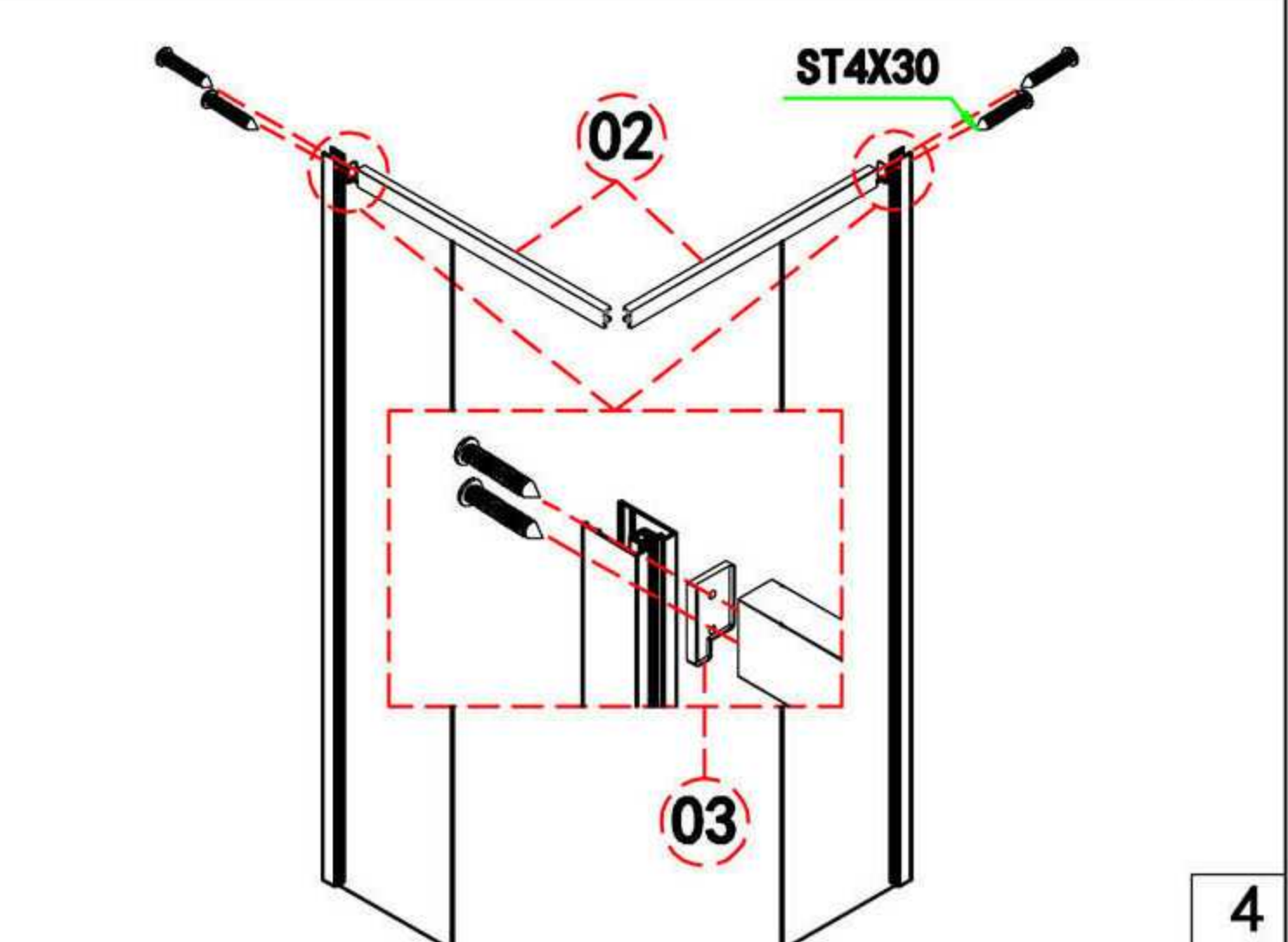
1



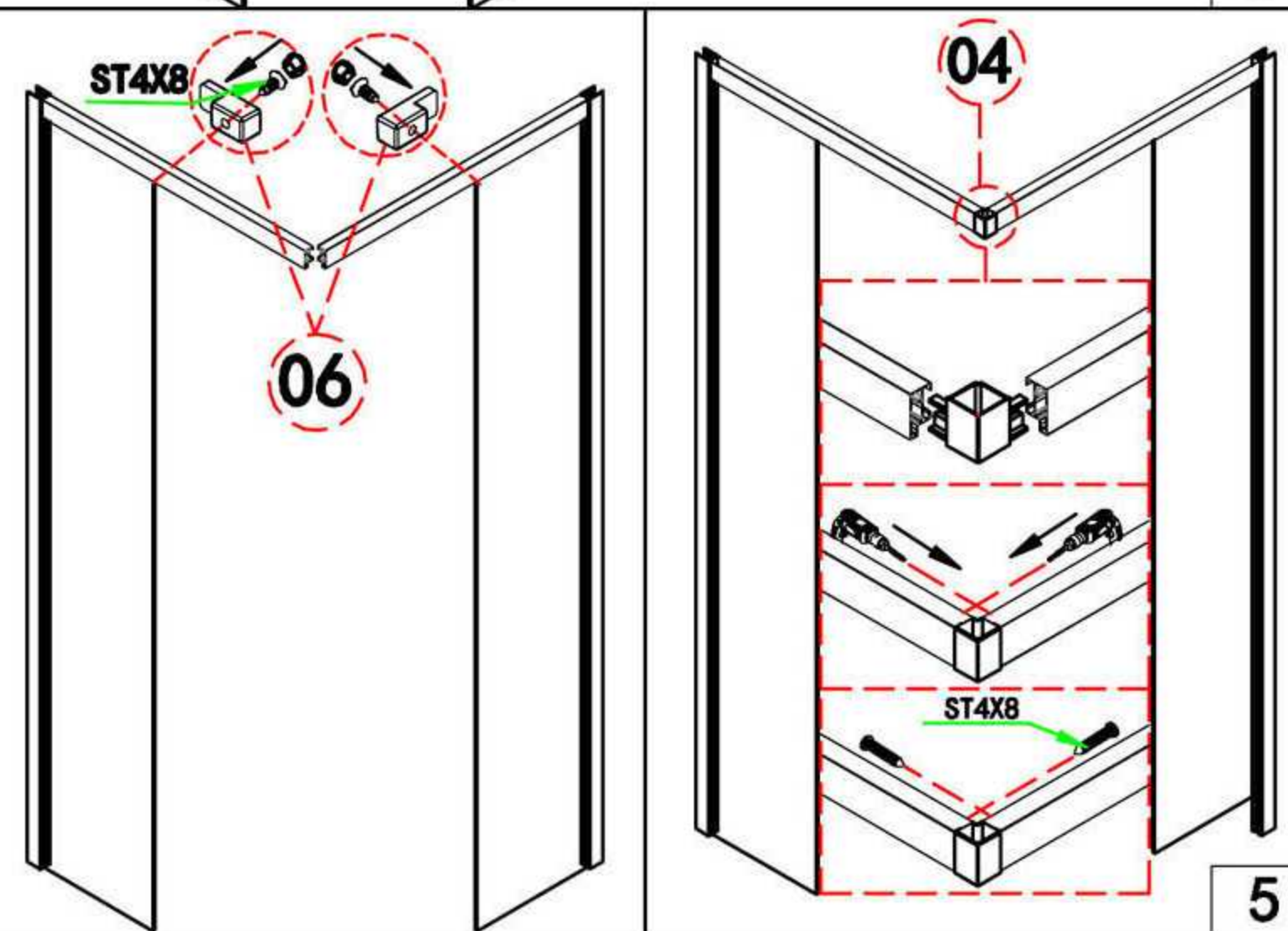
2



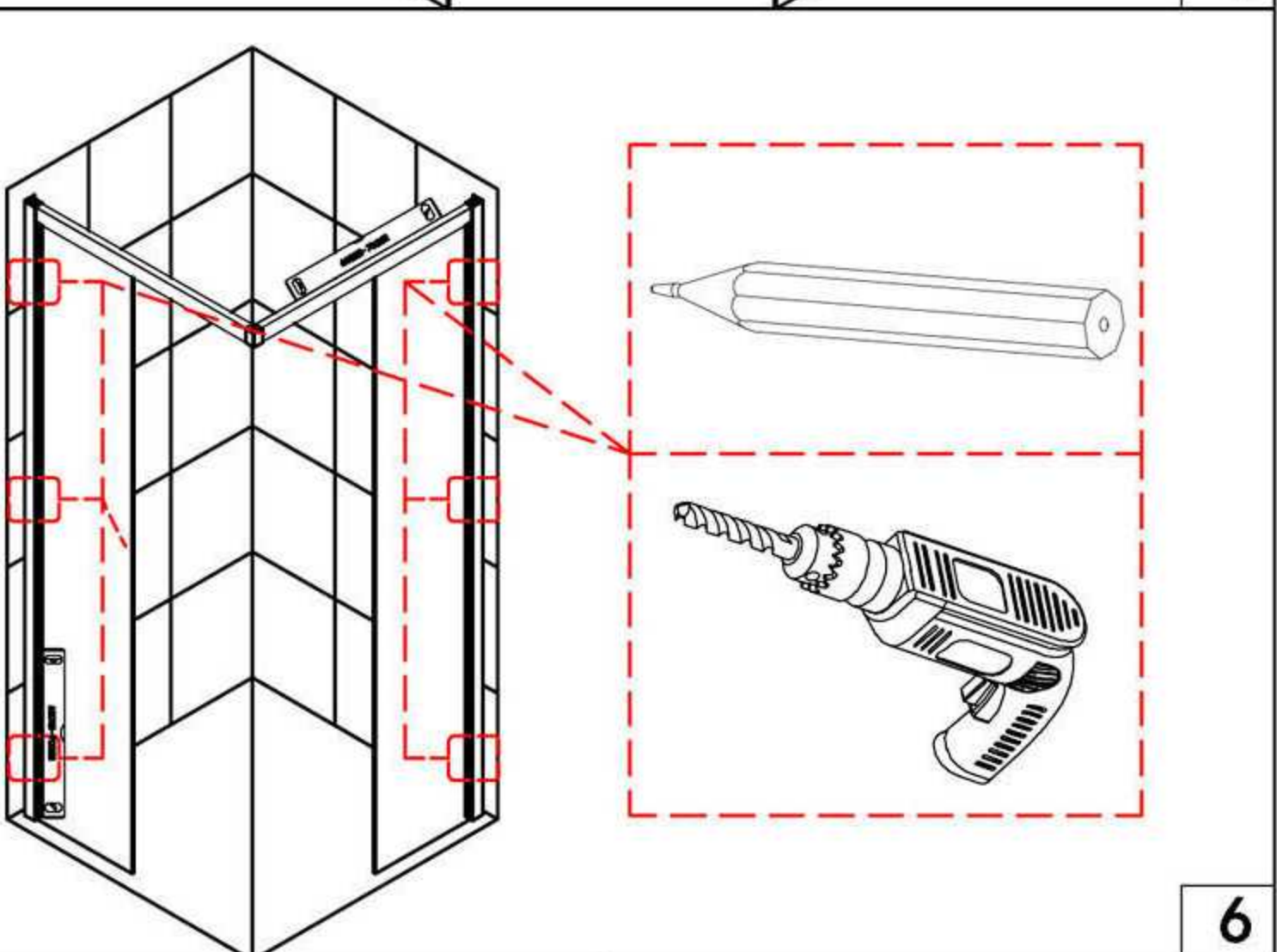
3



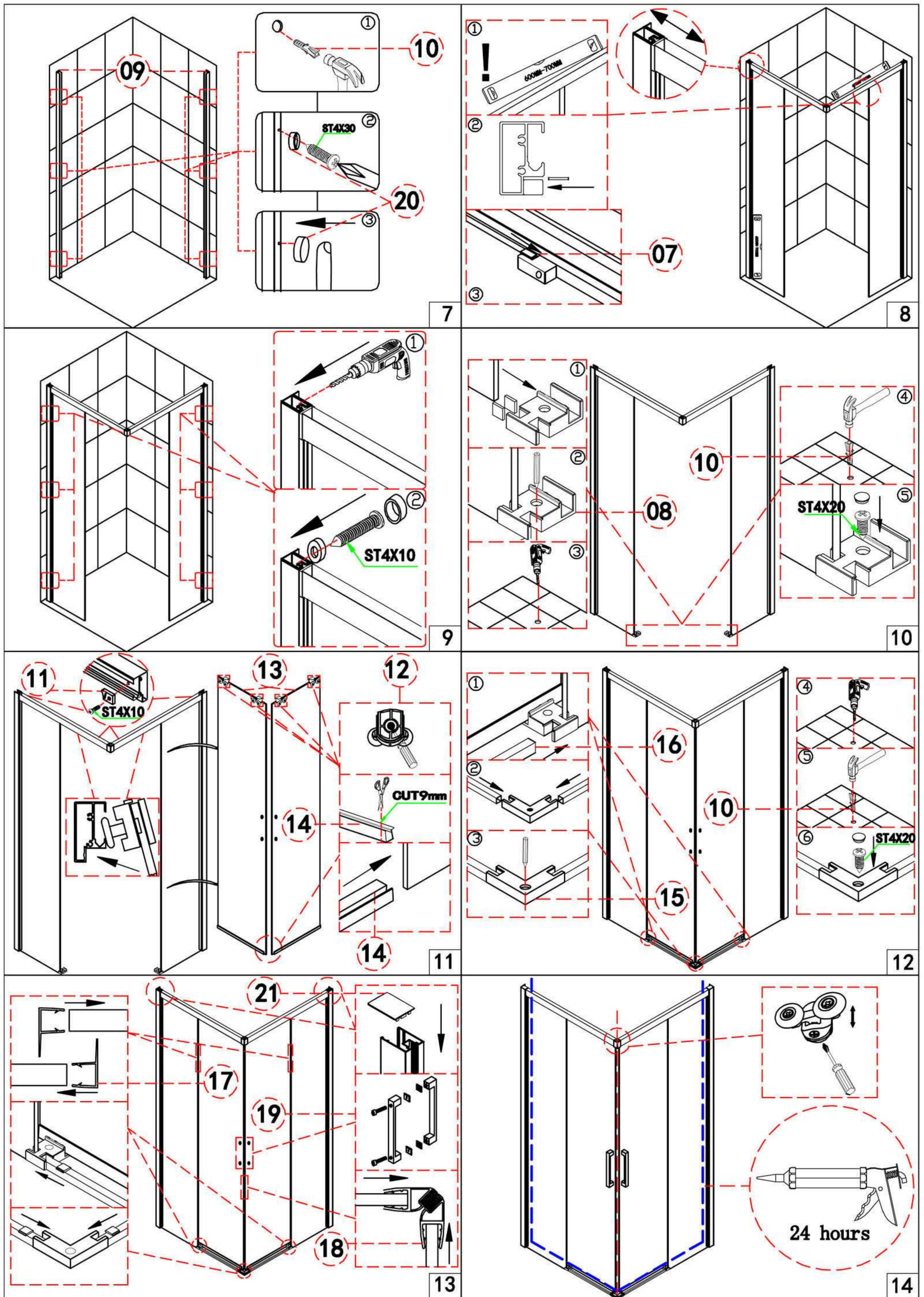
4

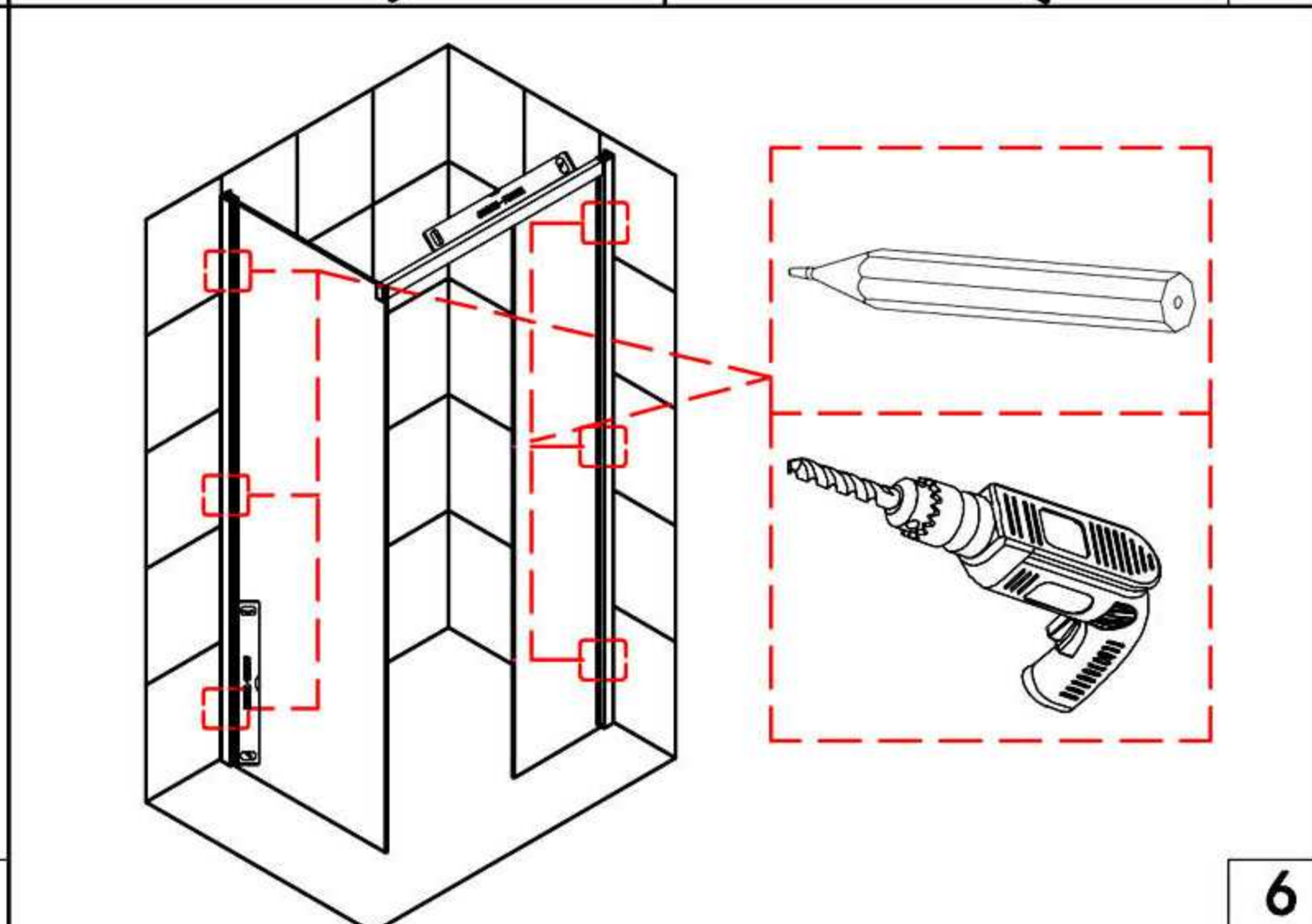
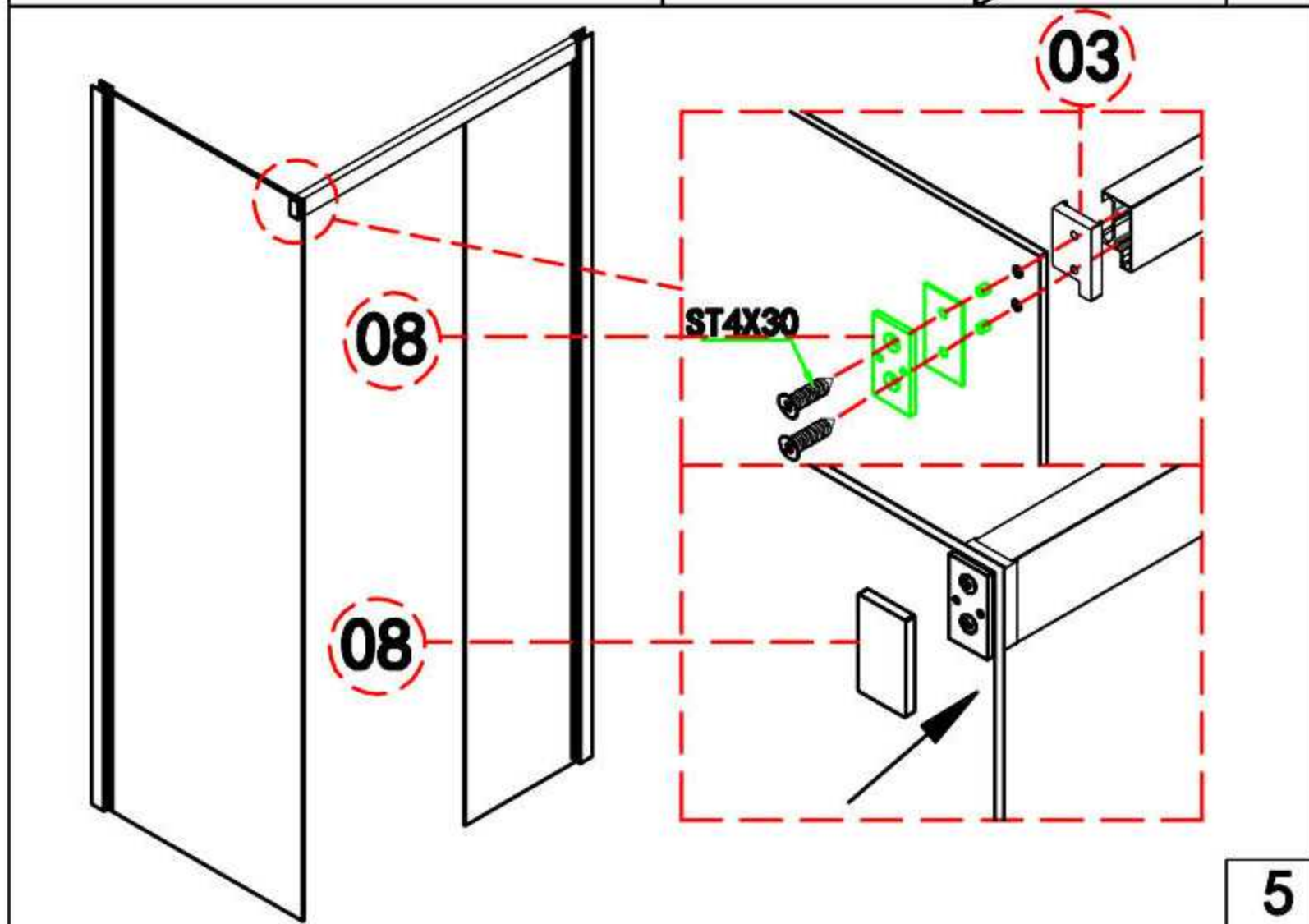
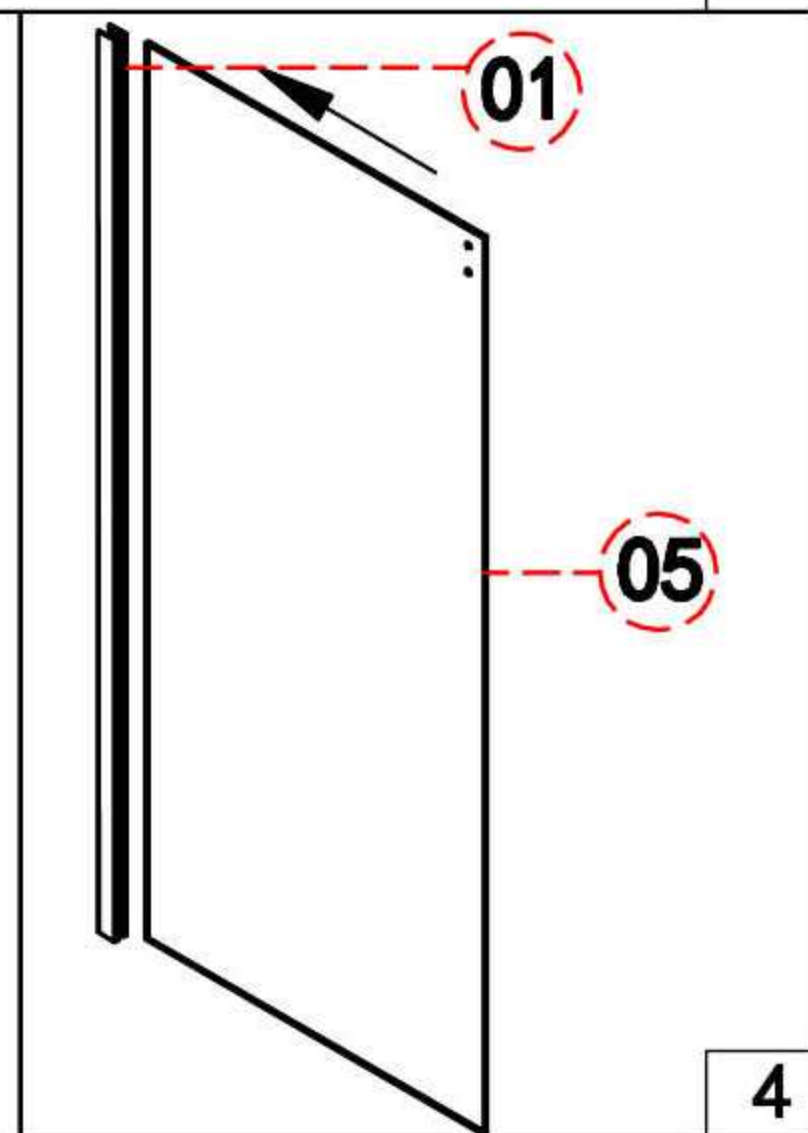
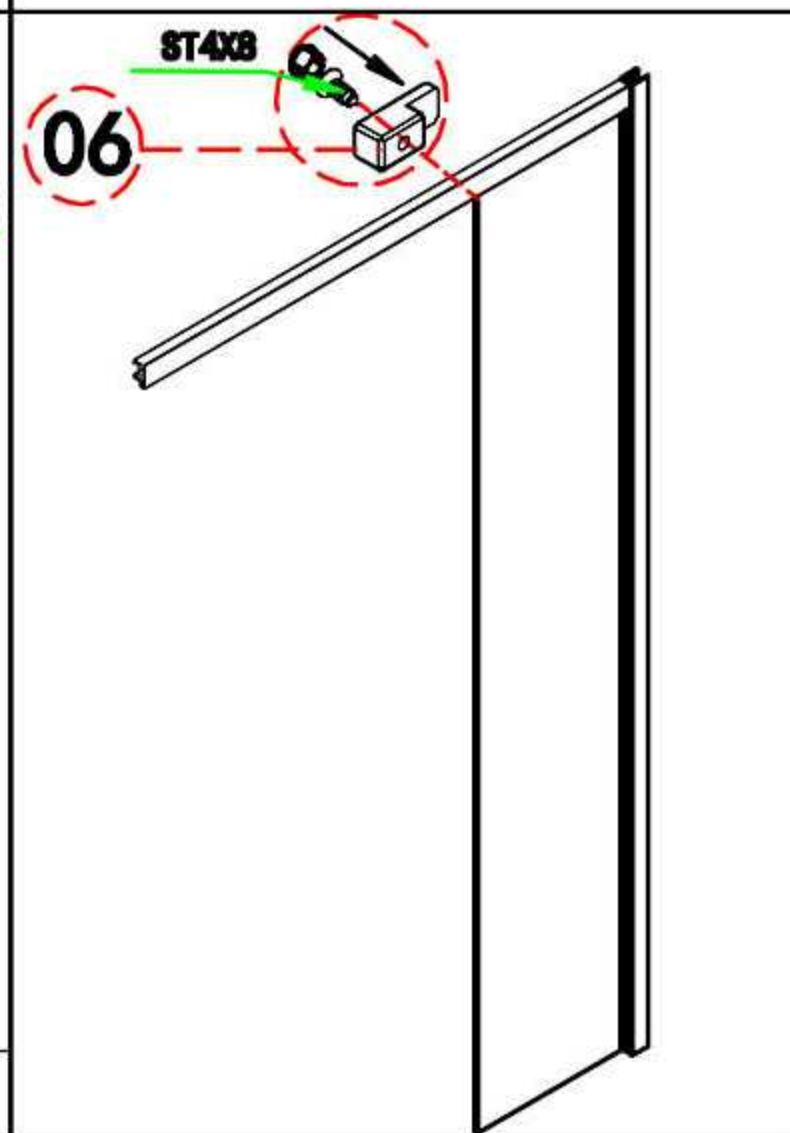
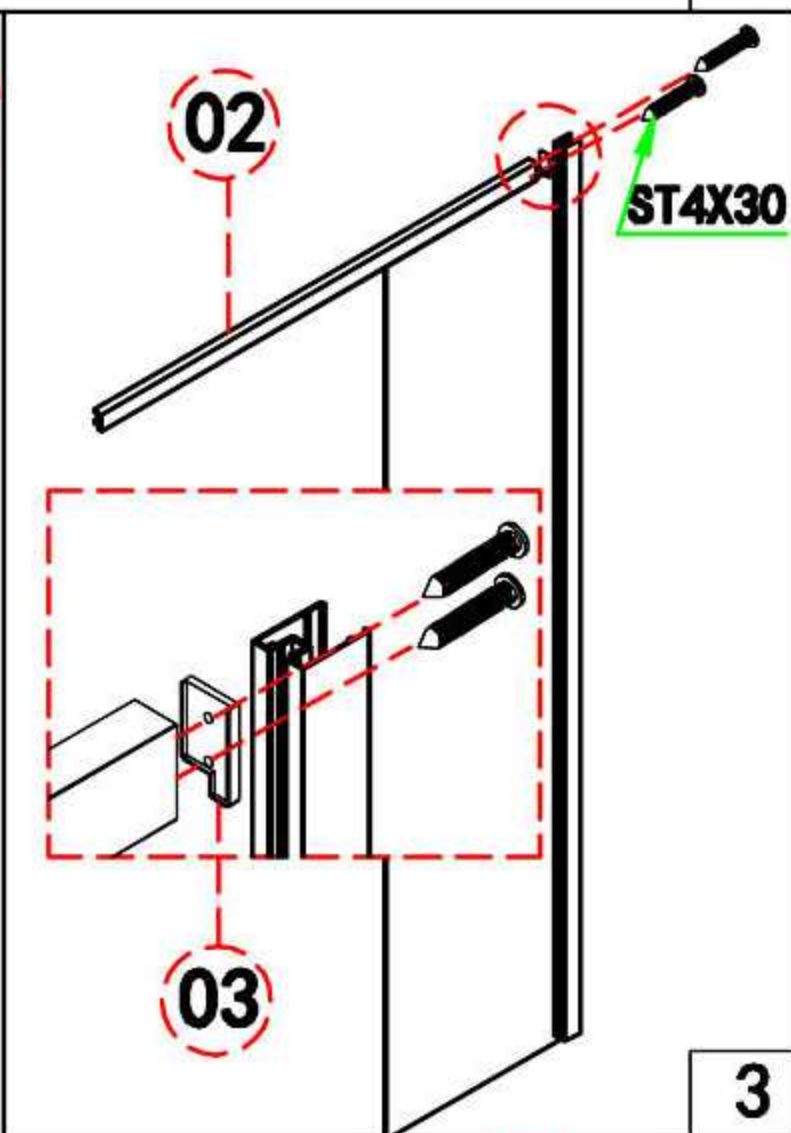
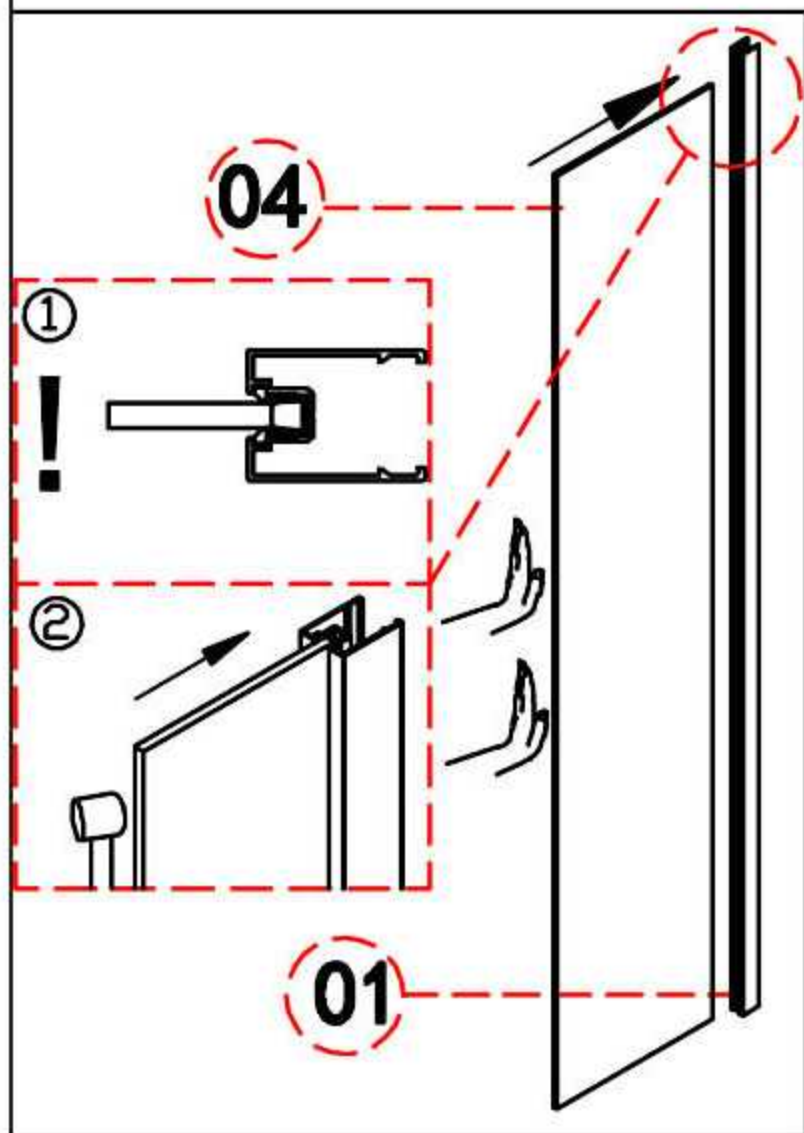
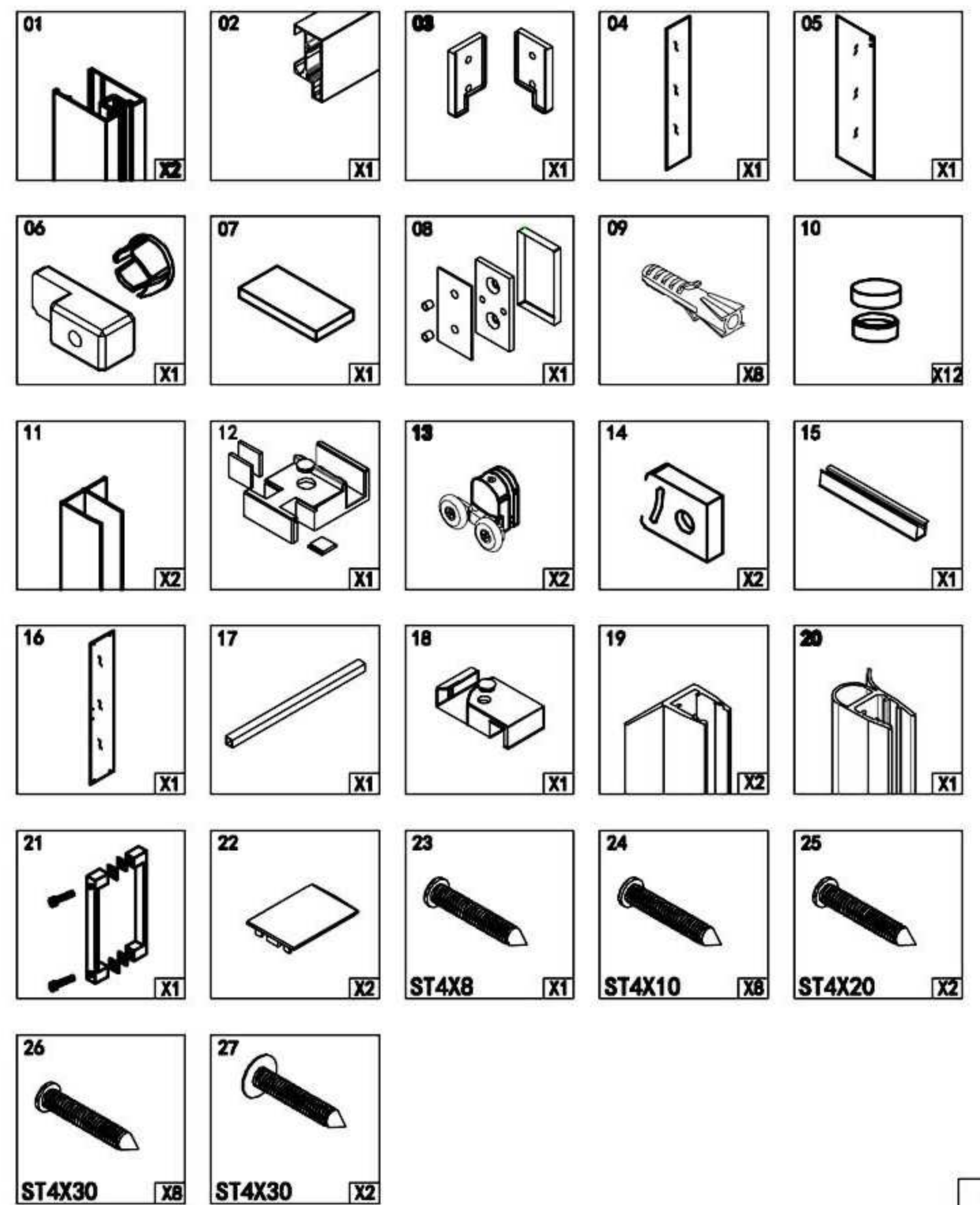
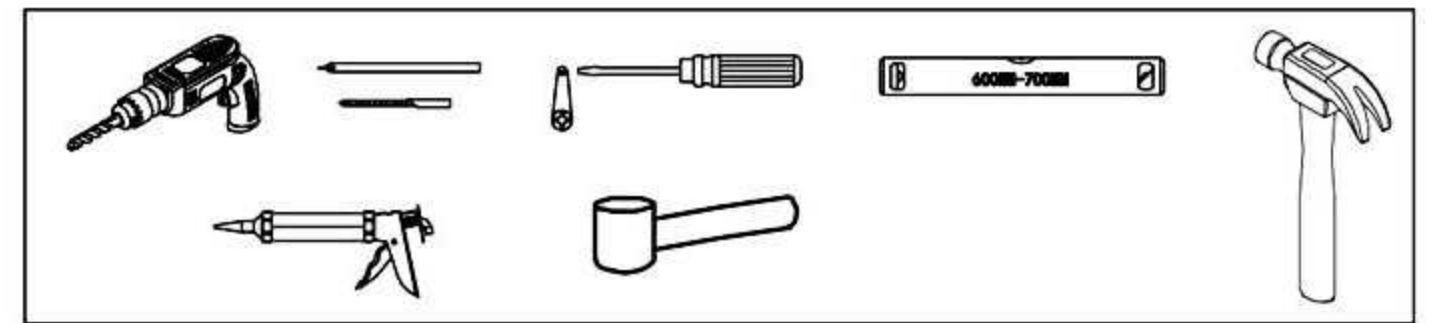
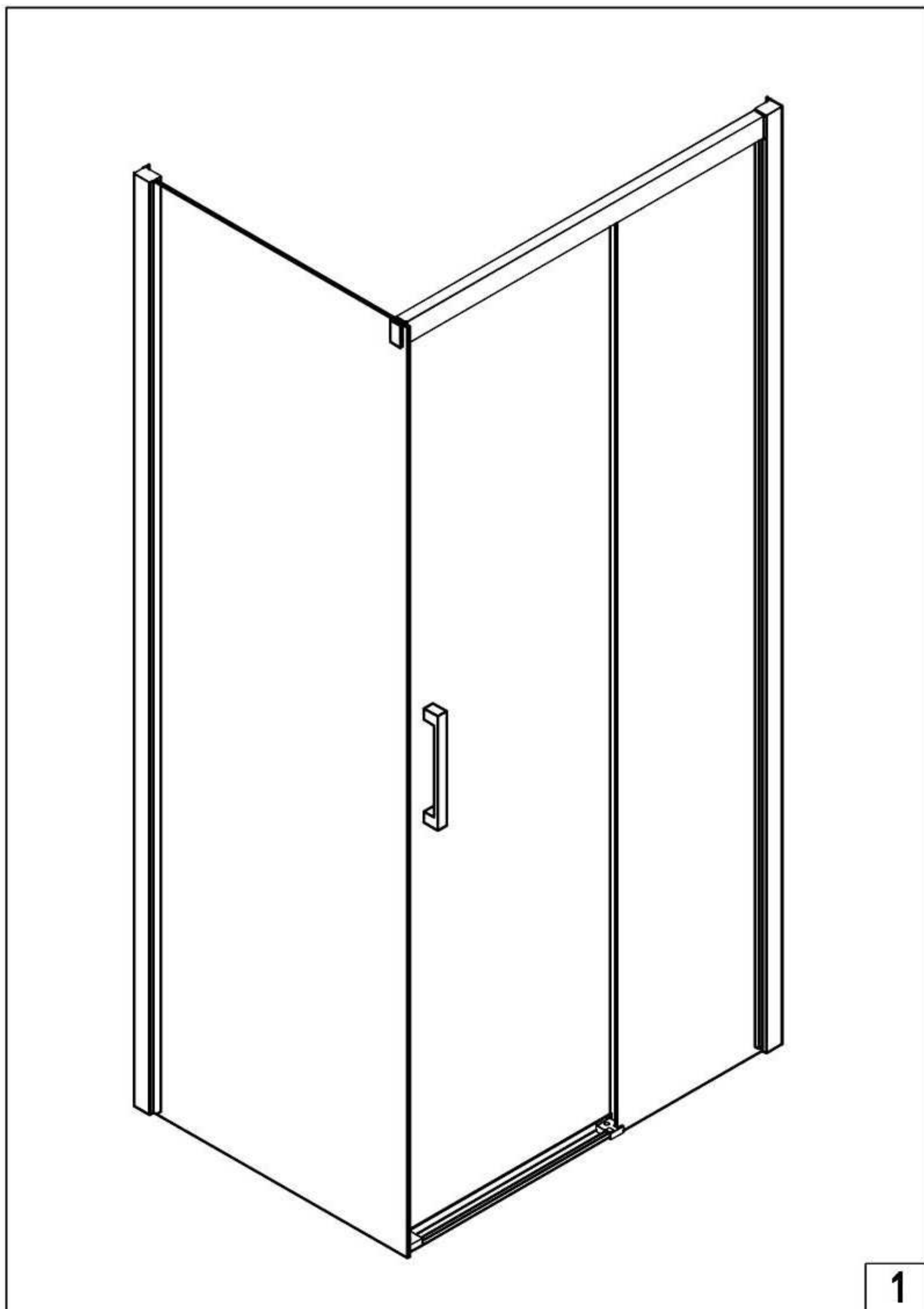


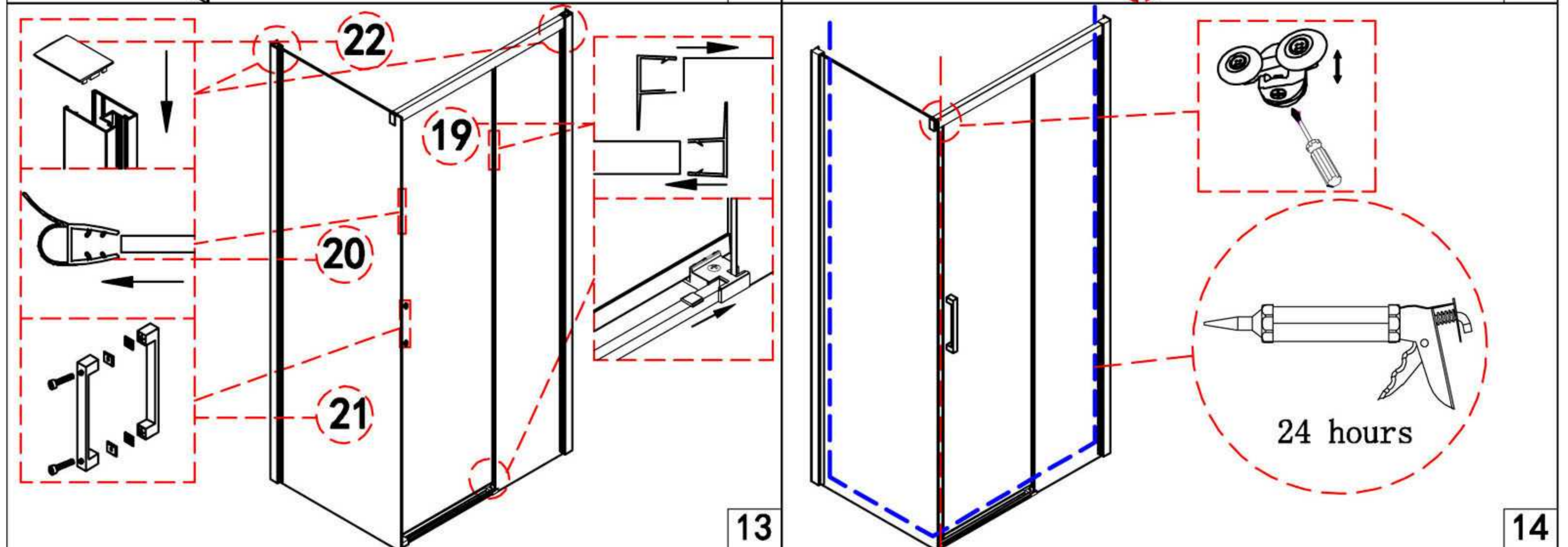
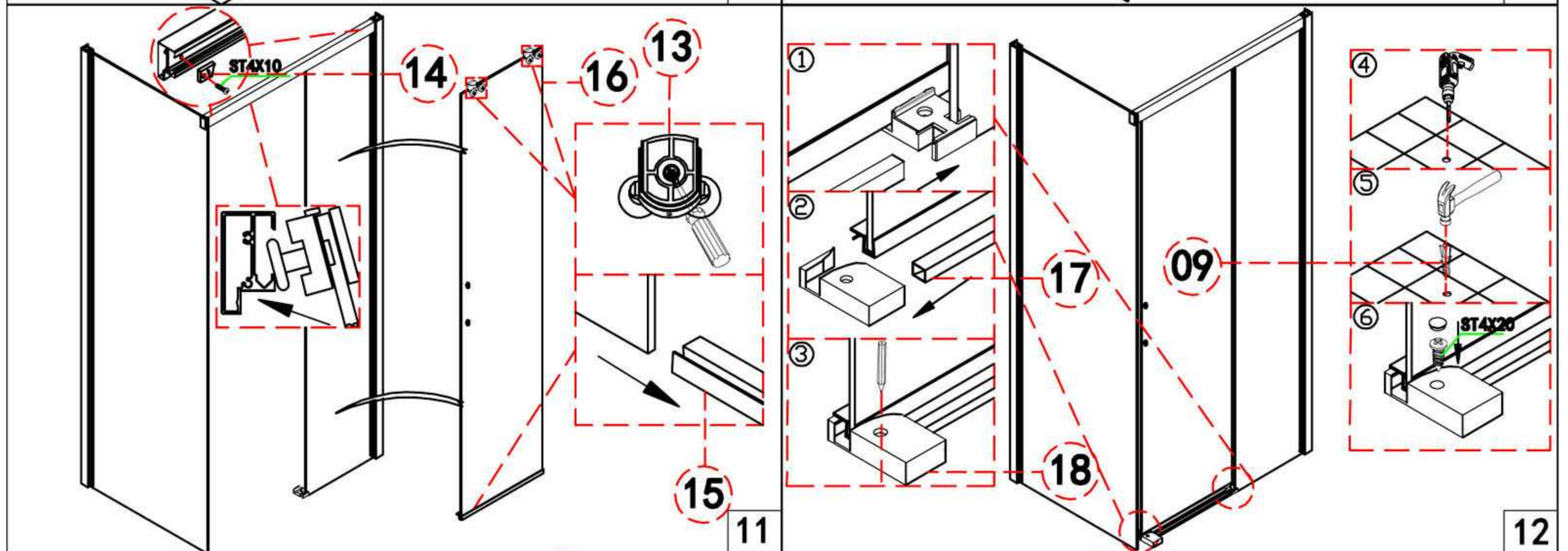
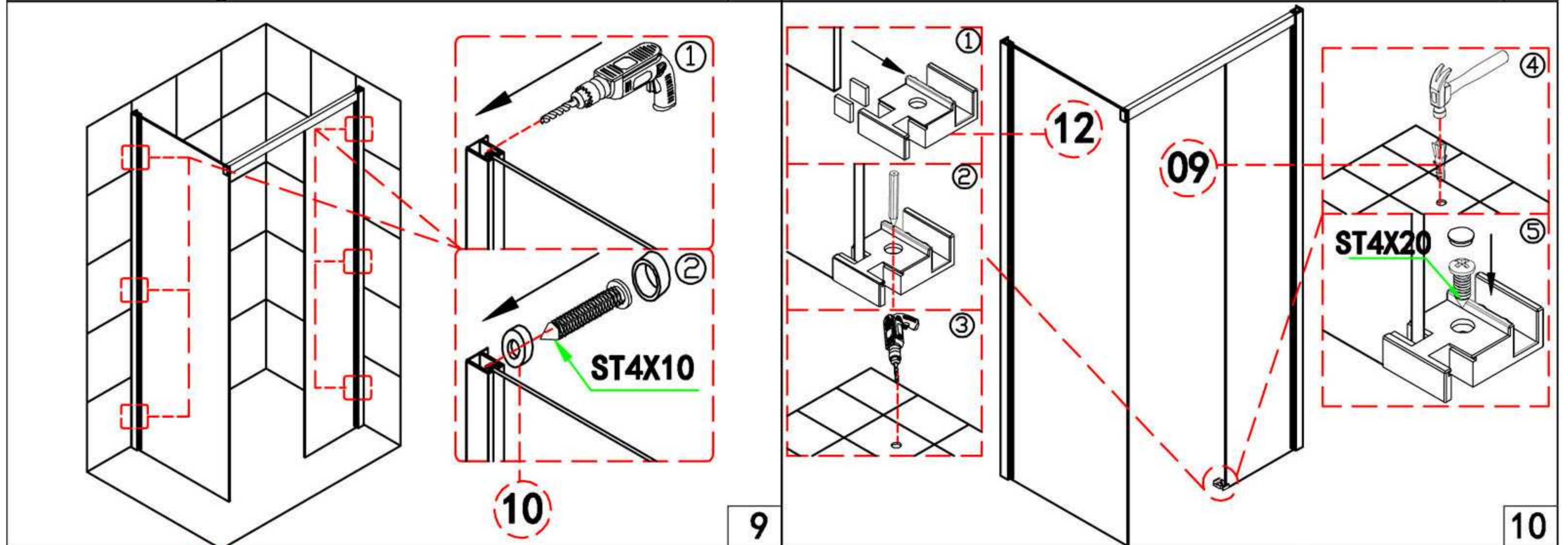
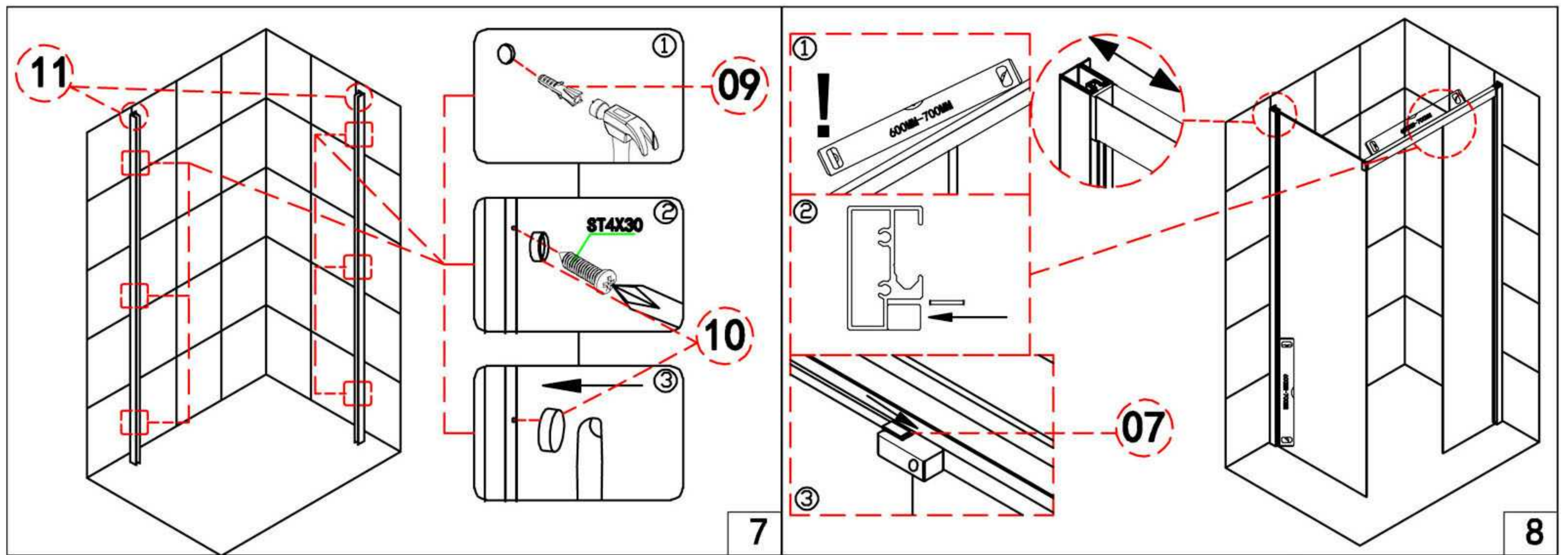
5

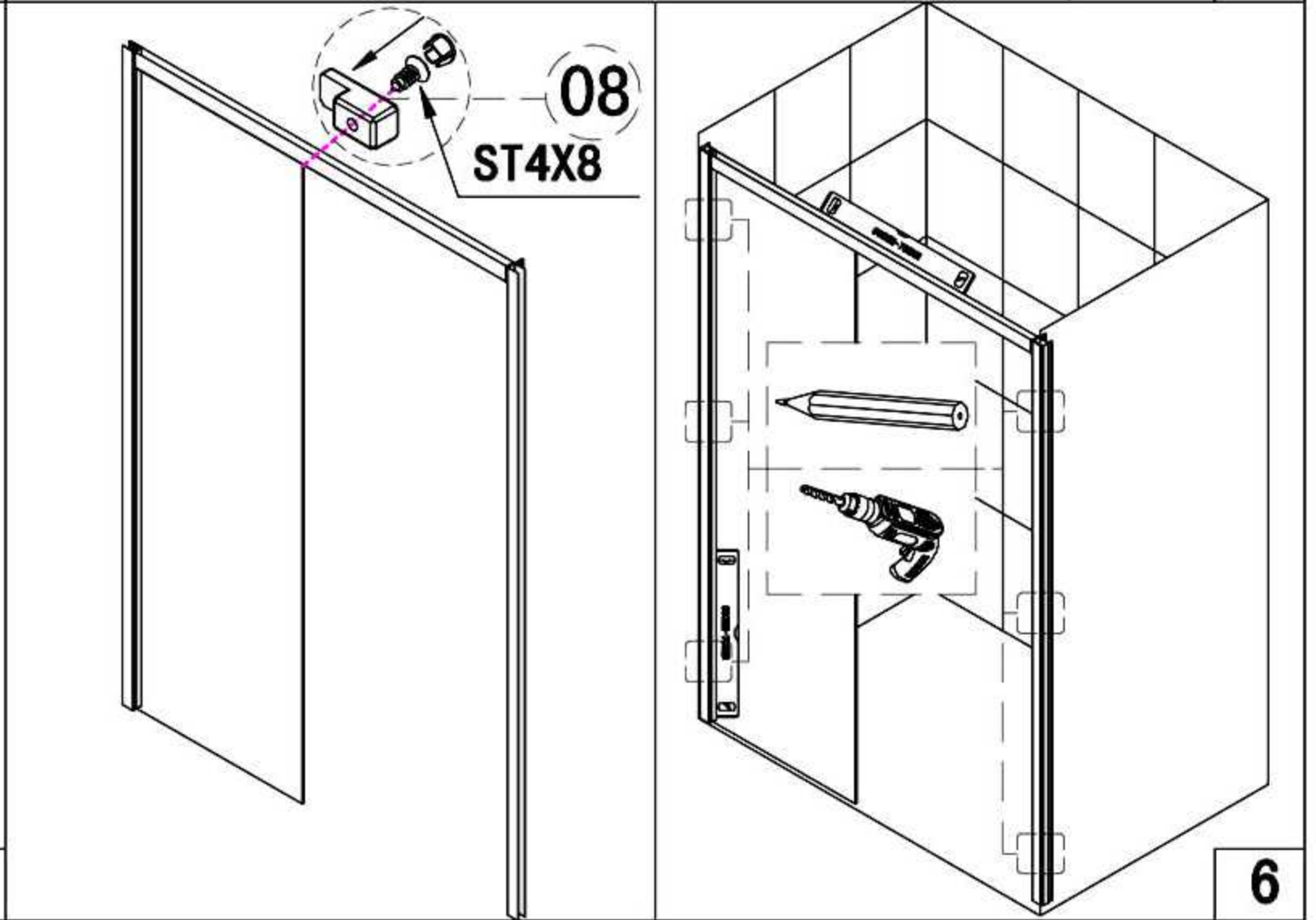
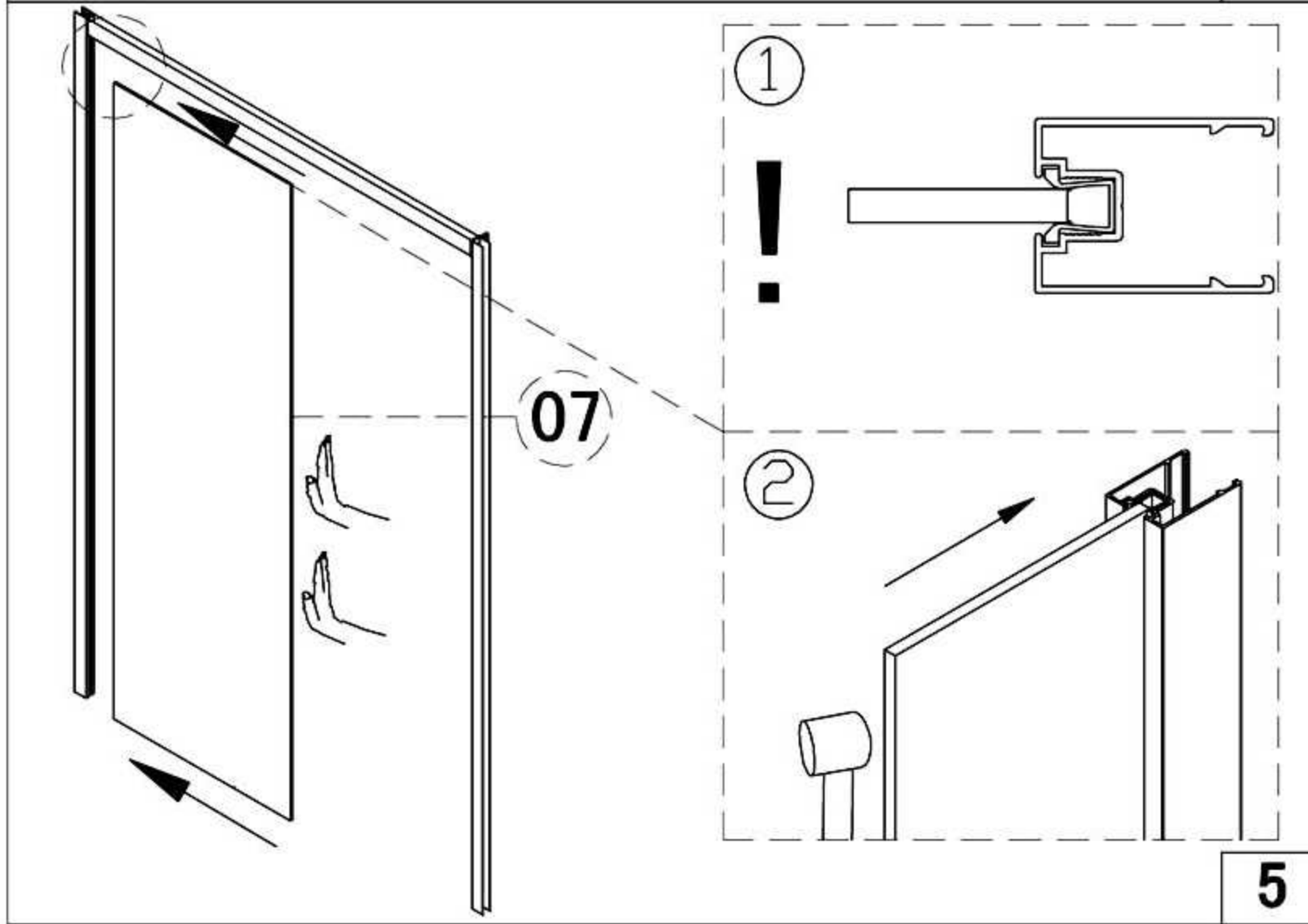
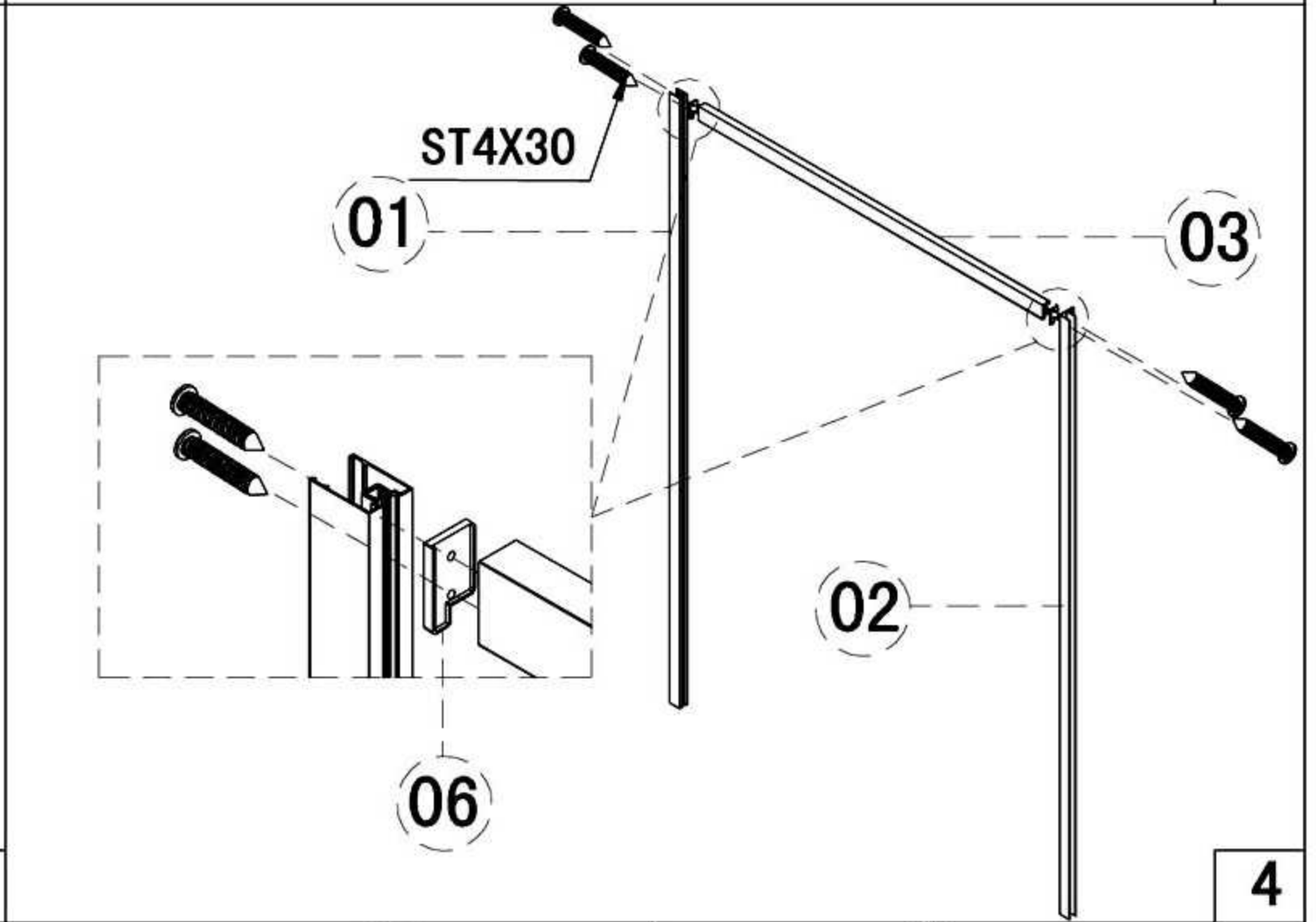
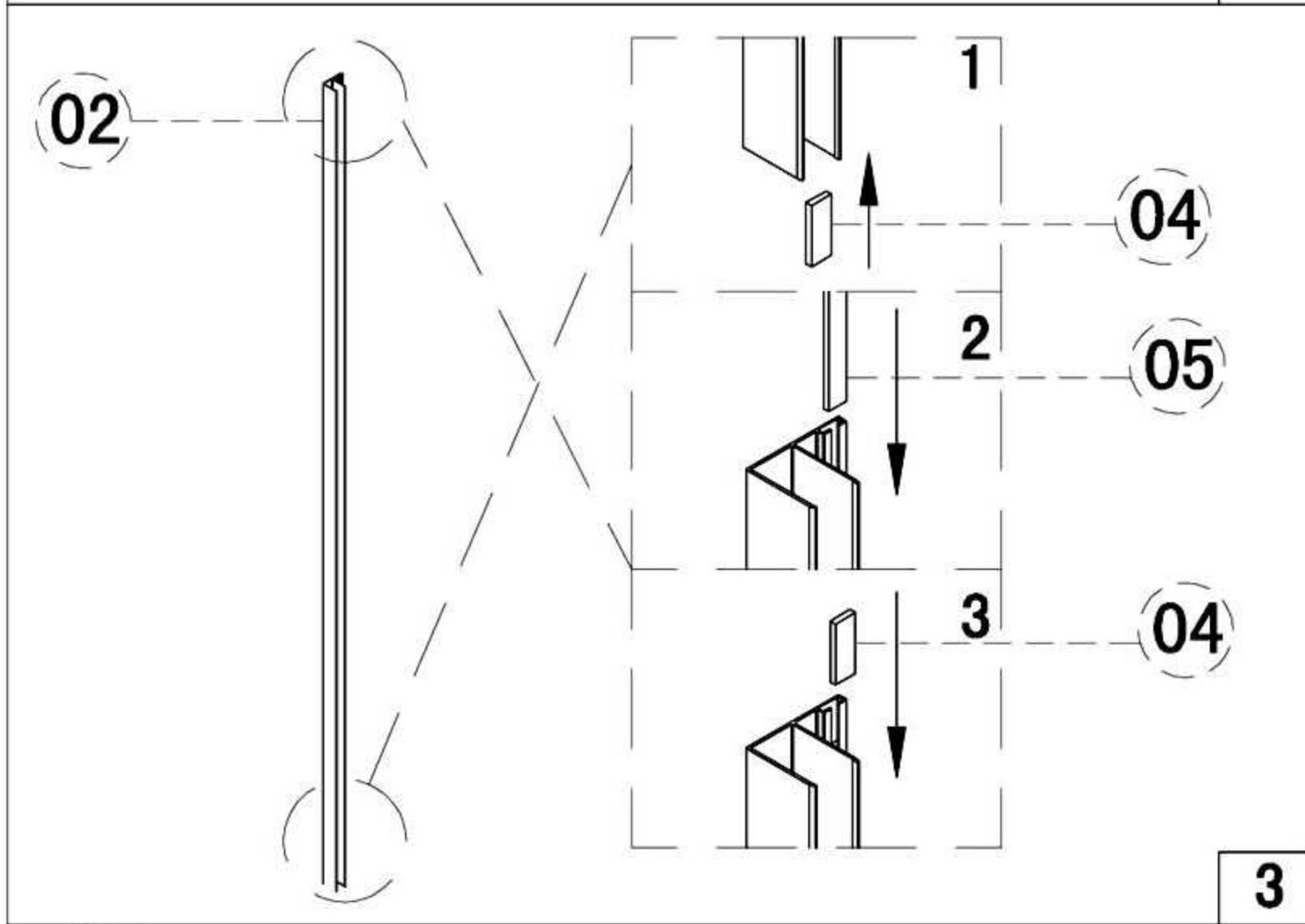
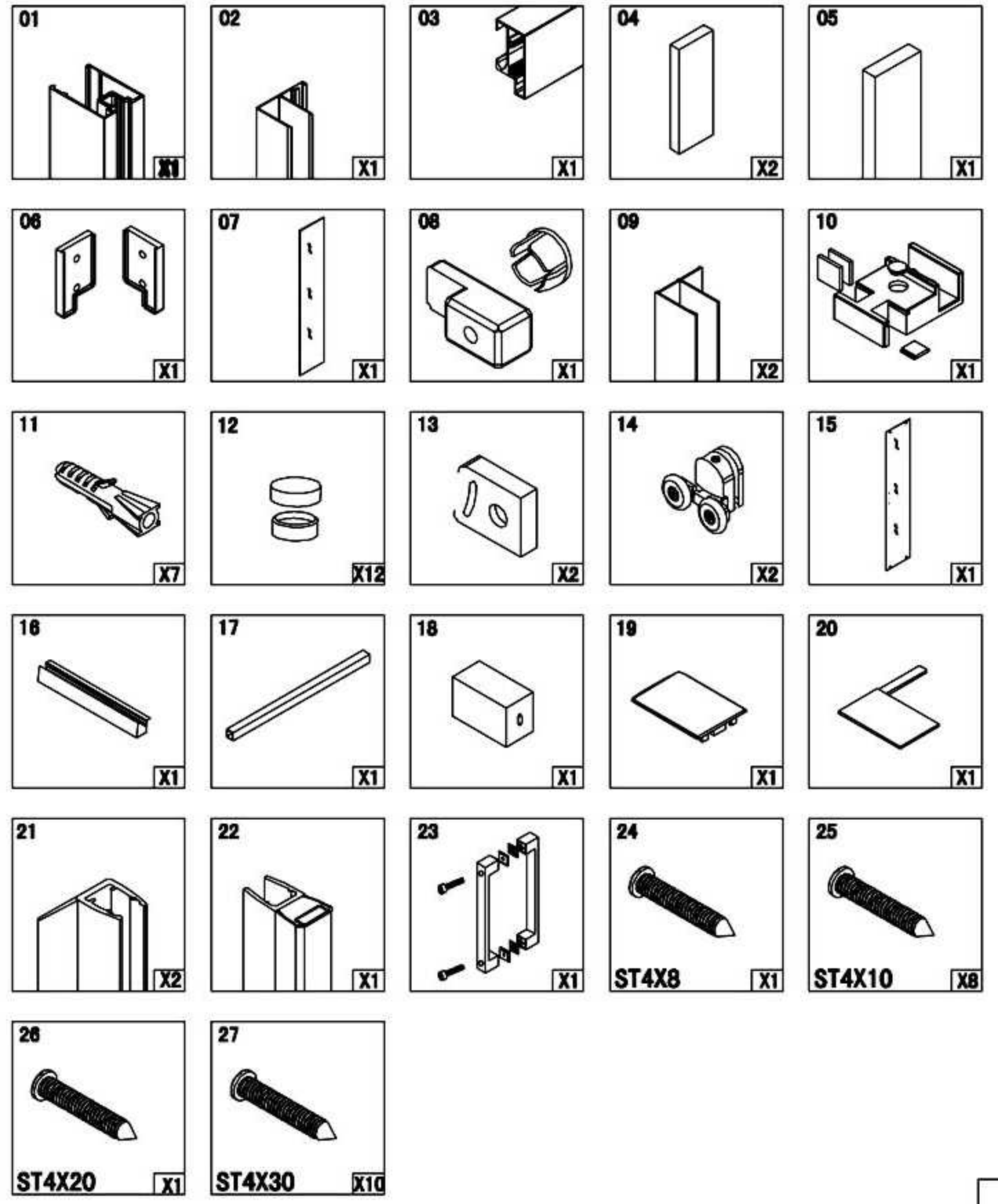
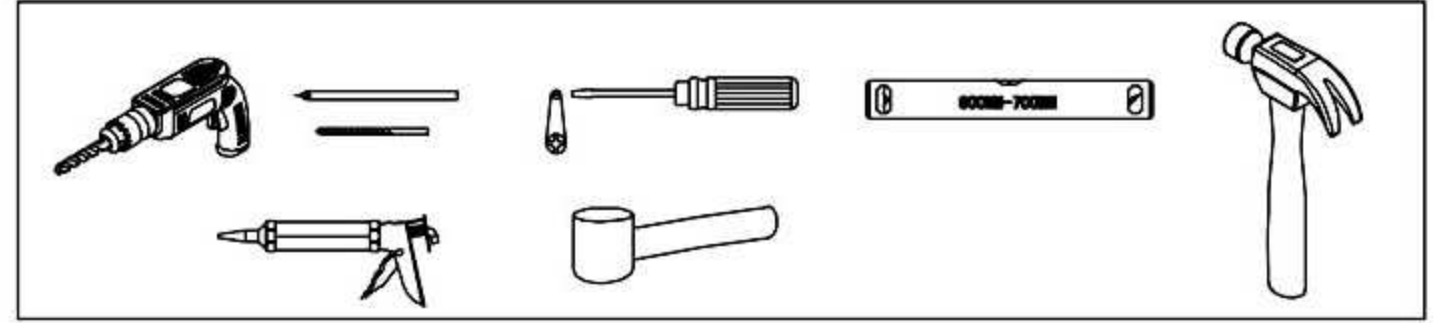
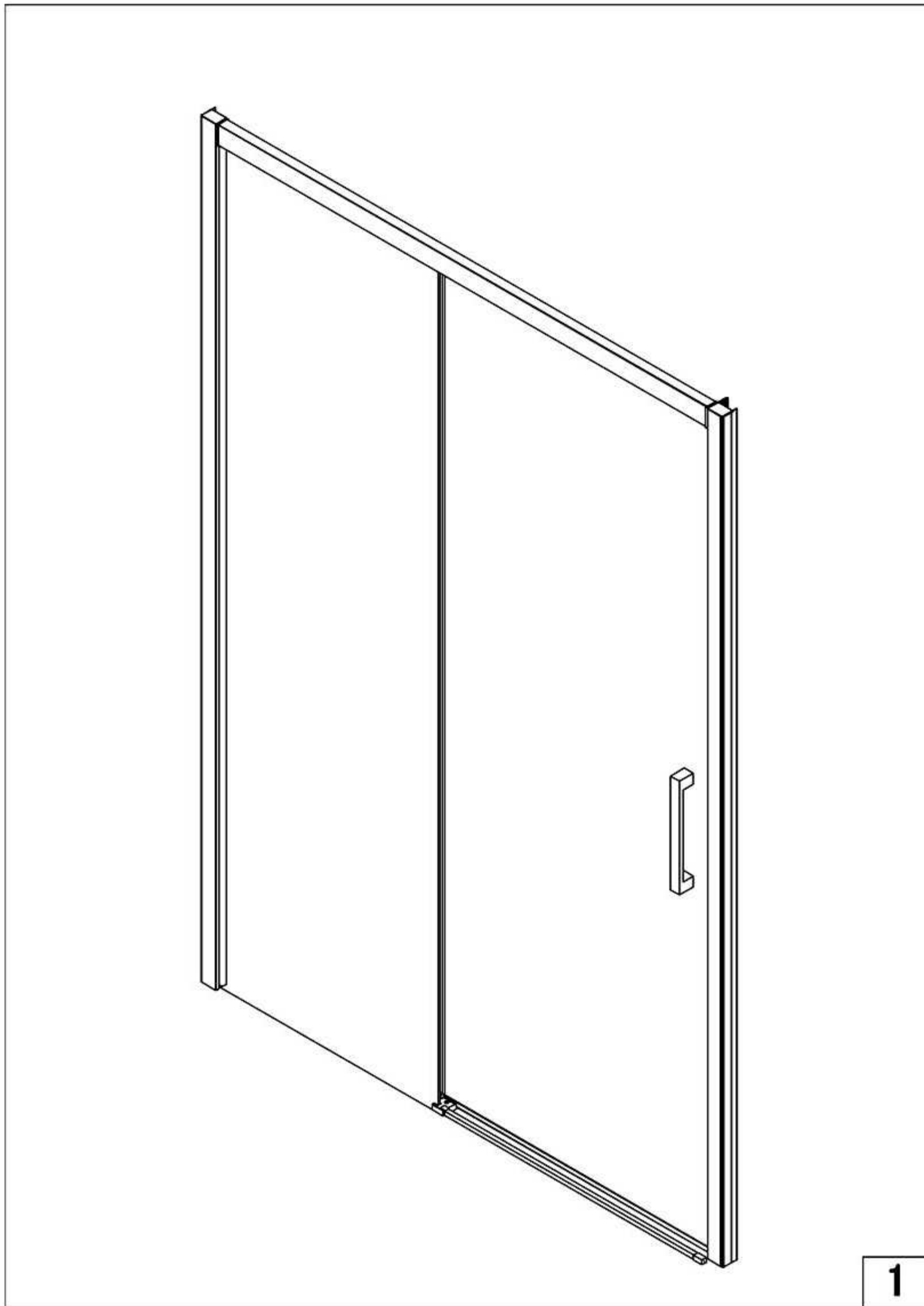


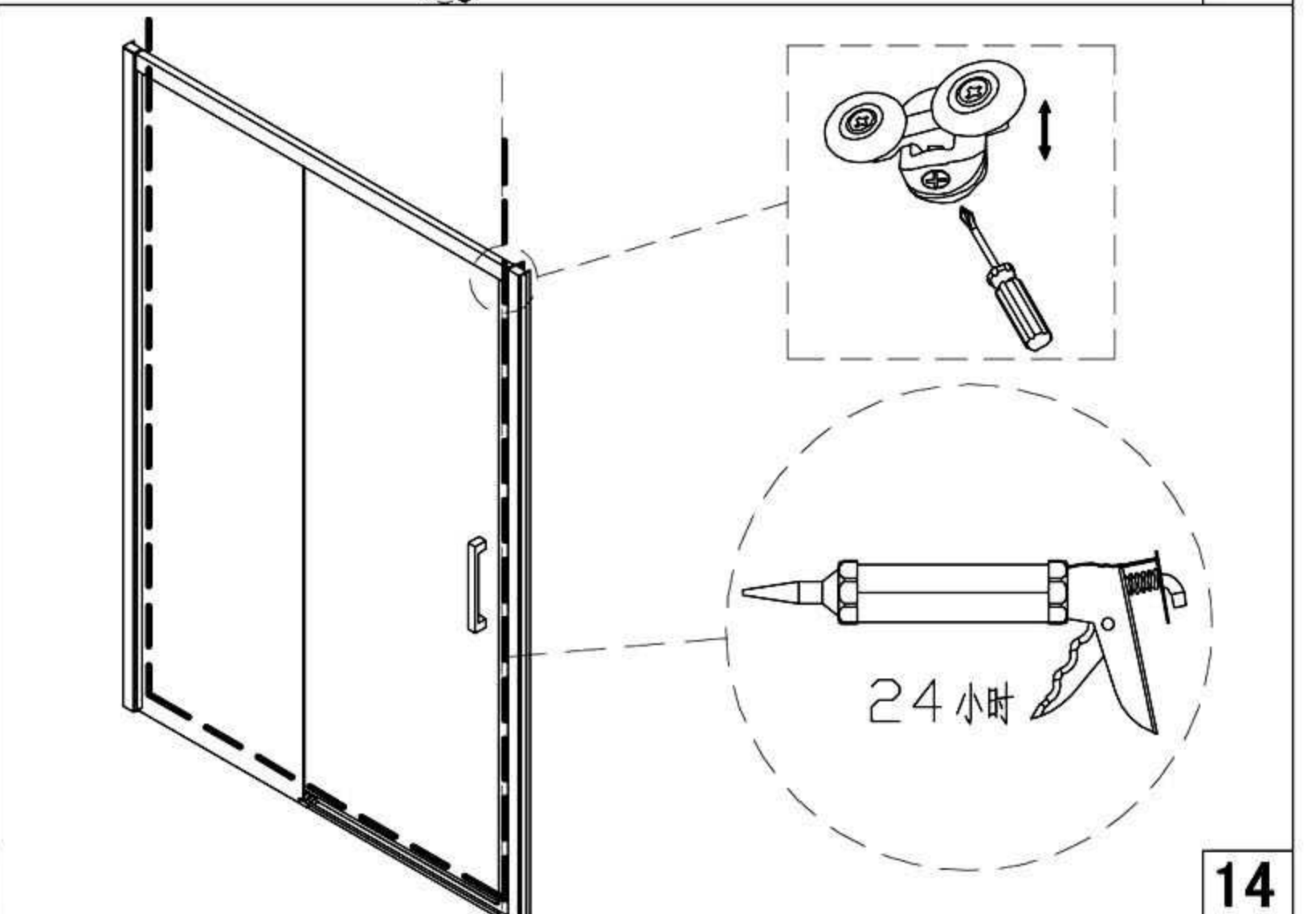
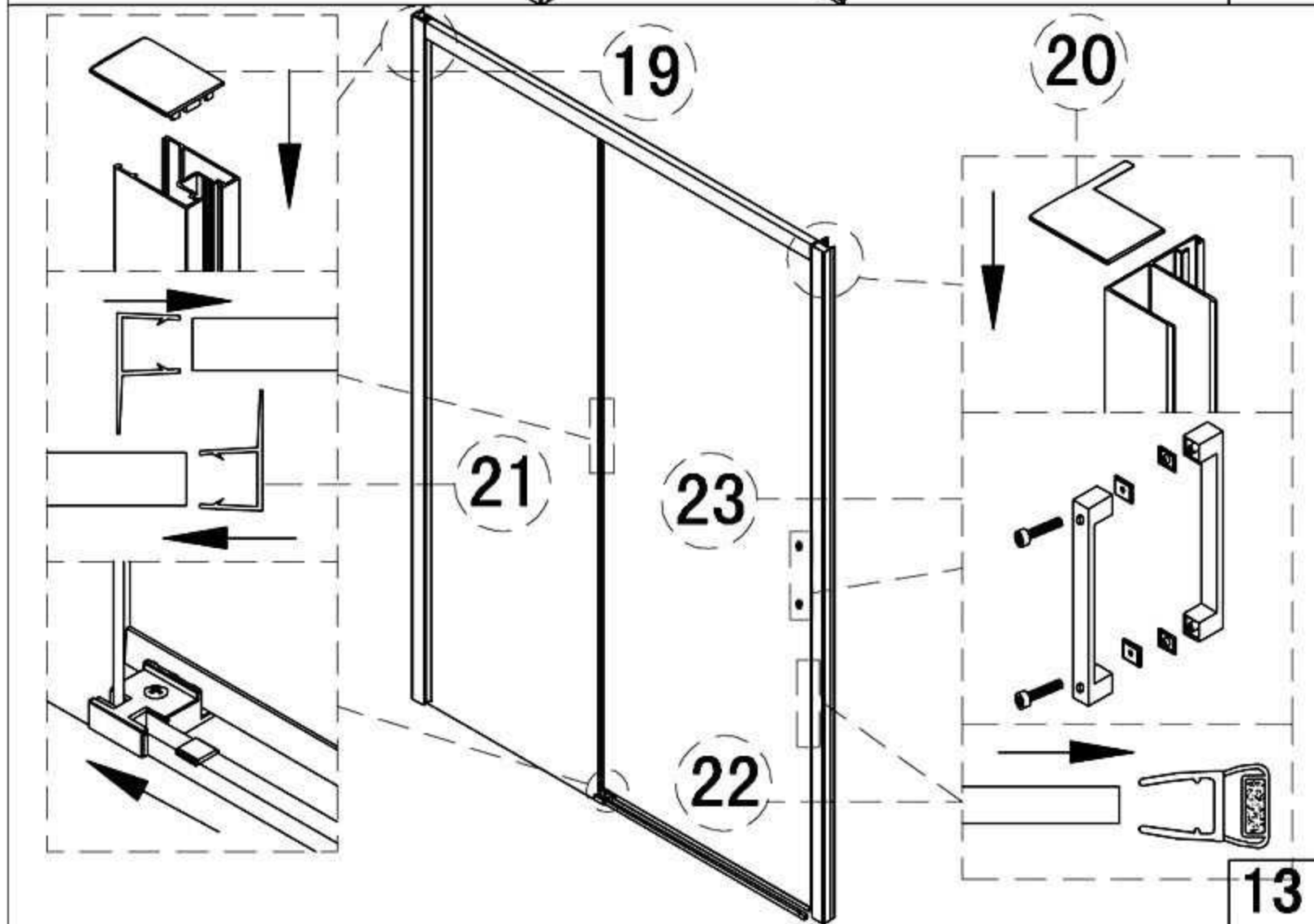
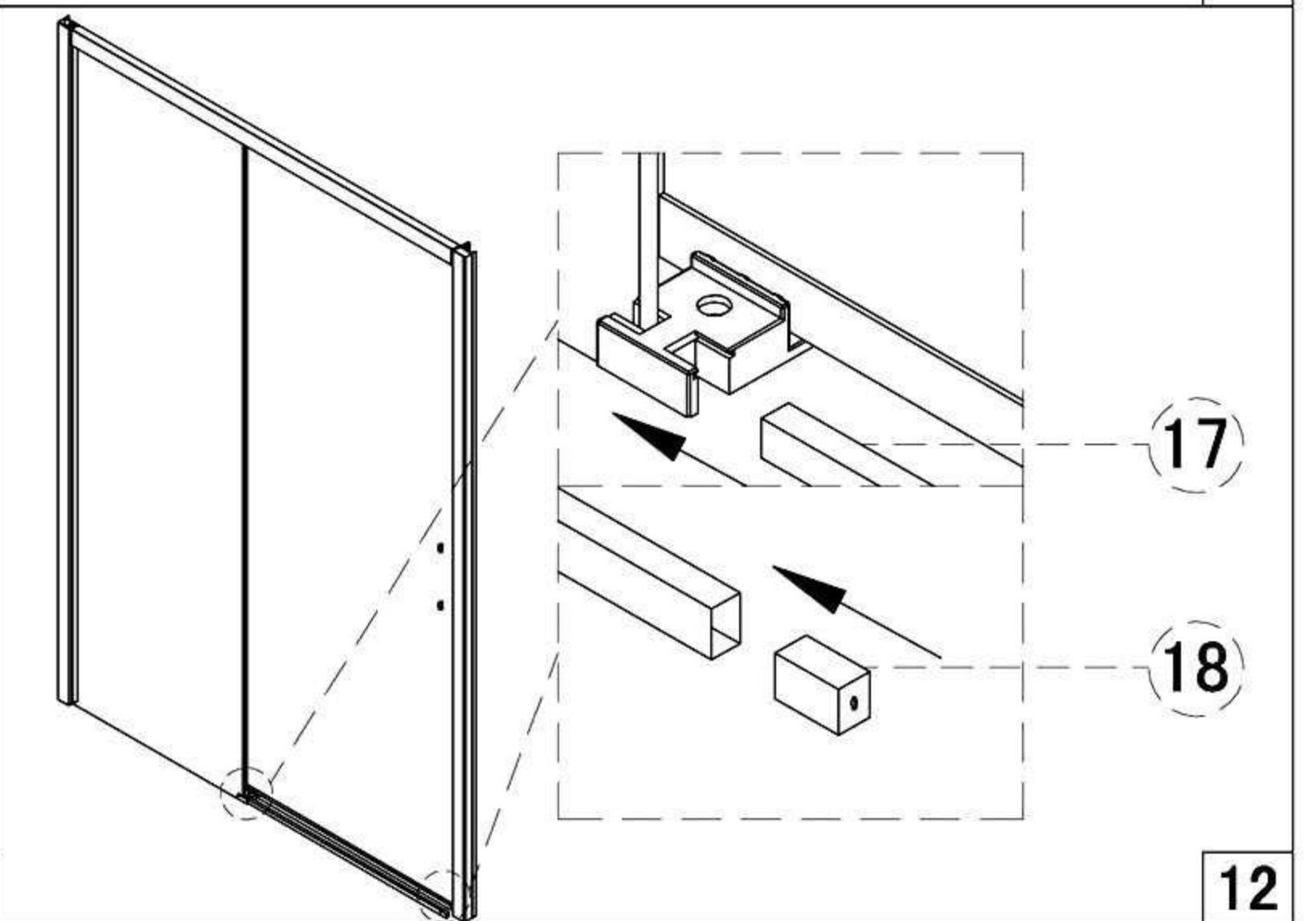
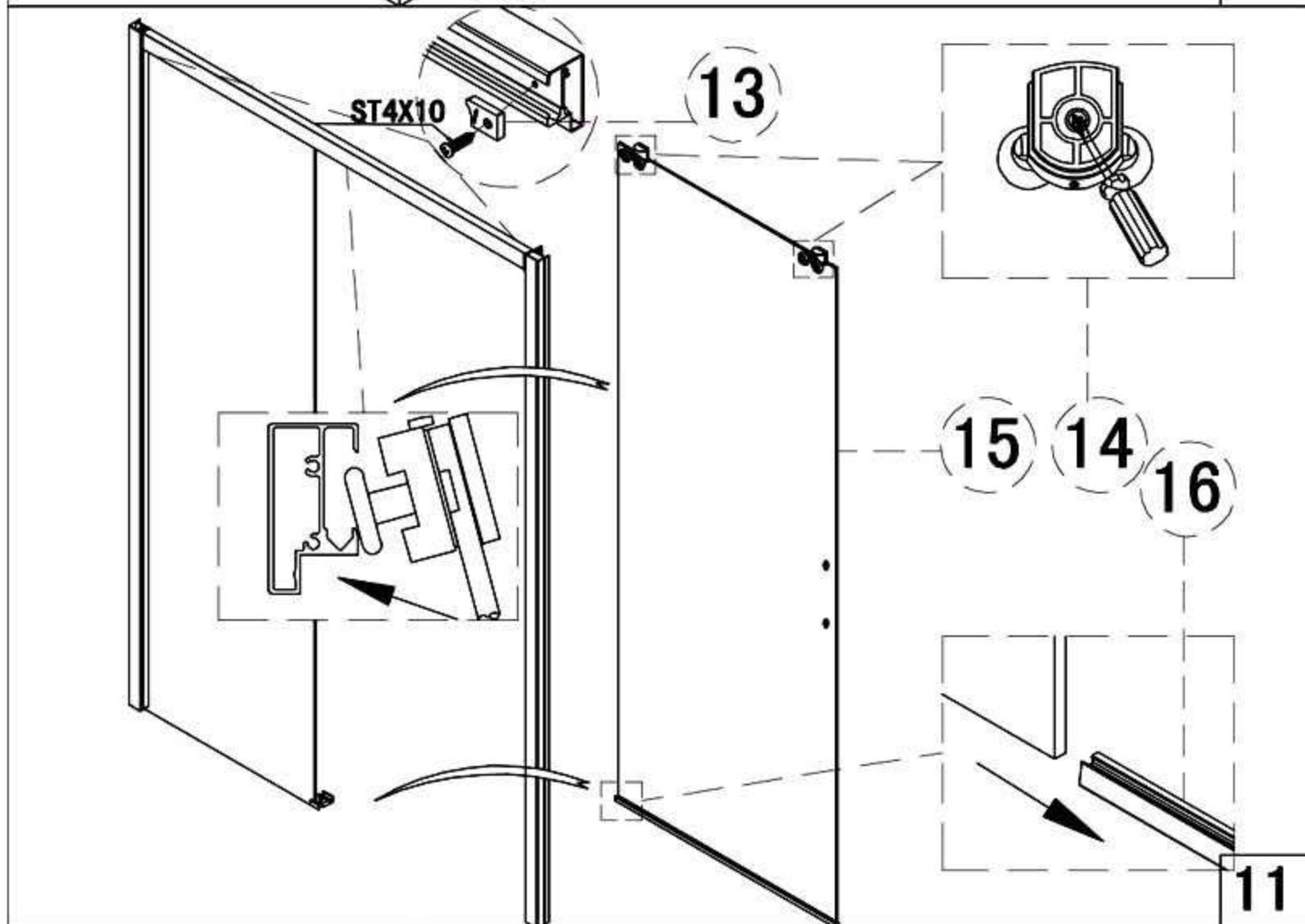
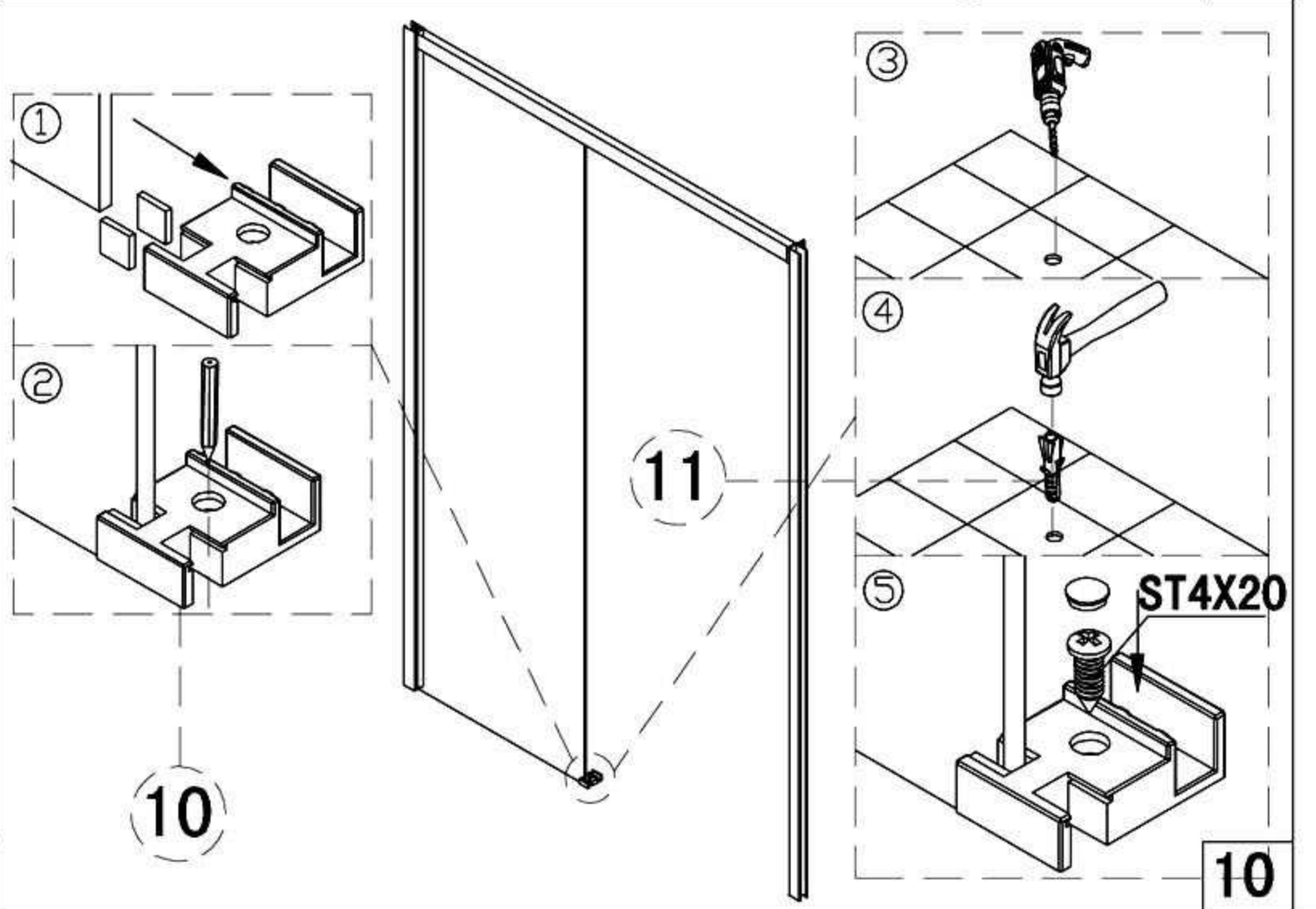
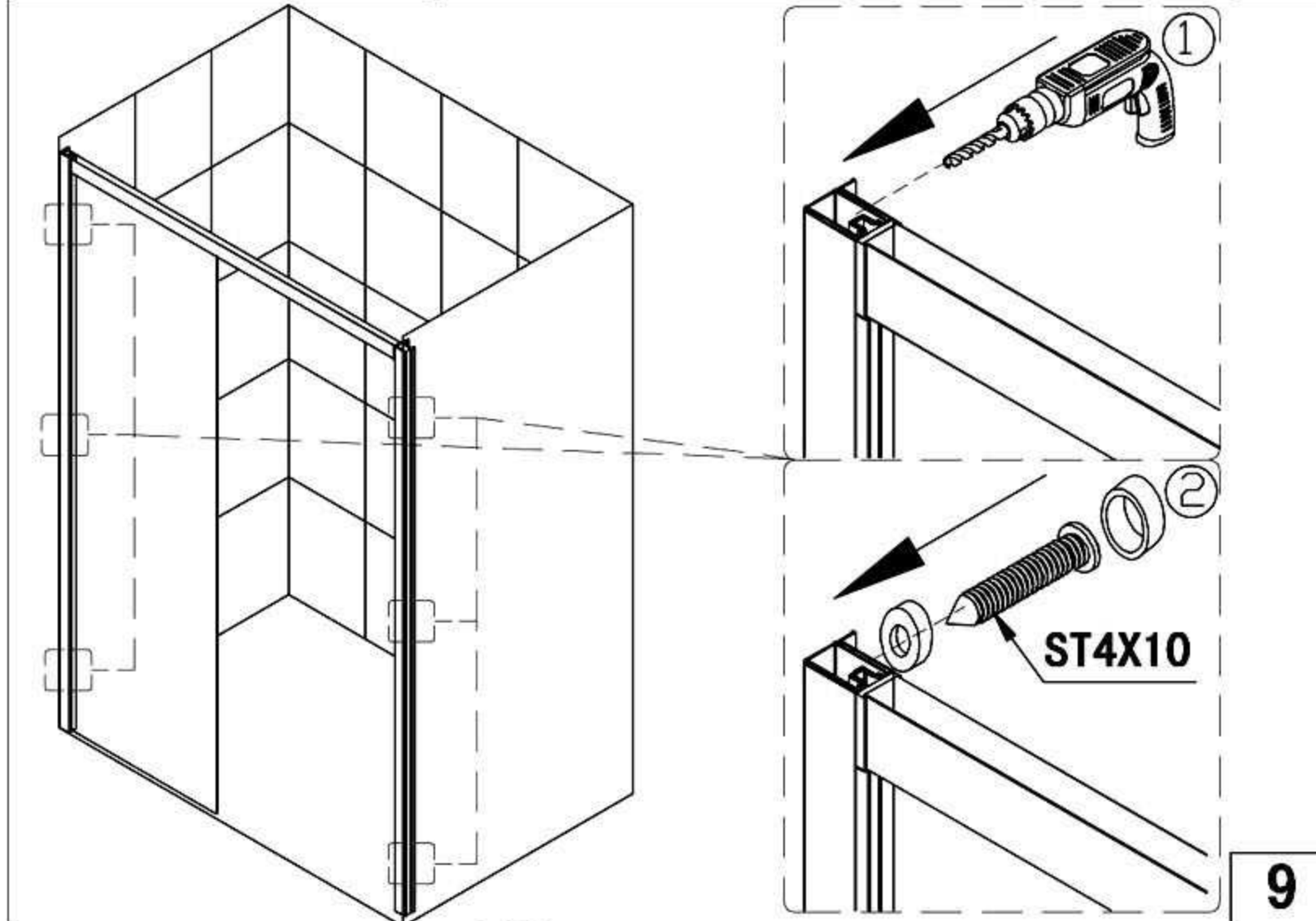
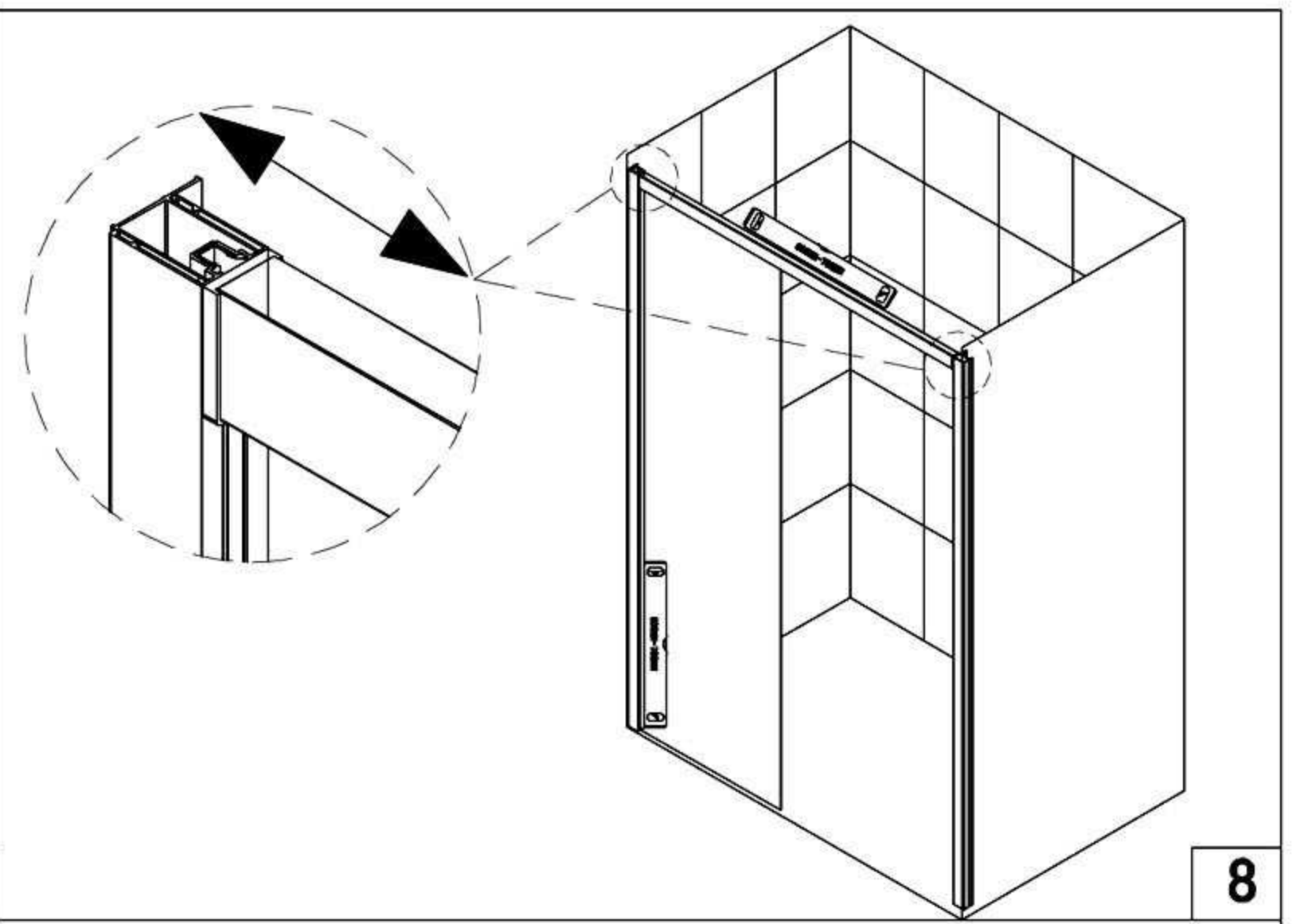
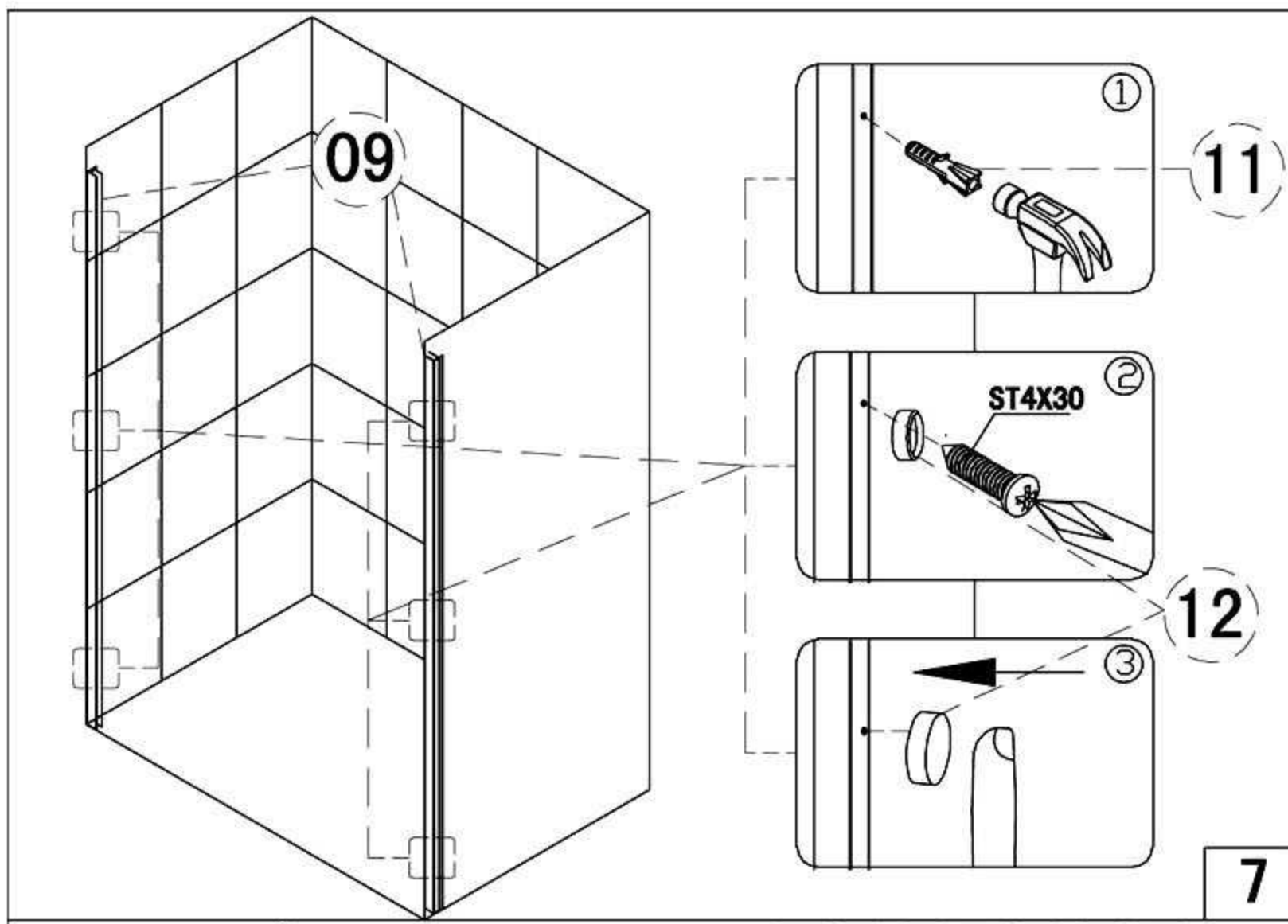
6

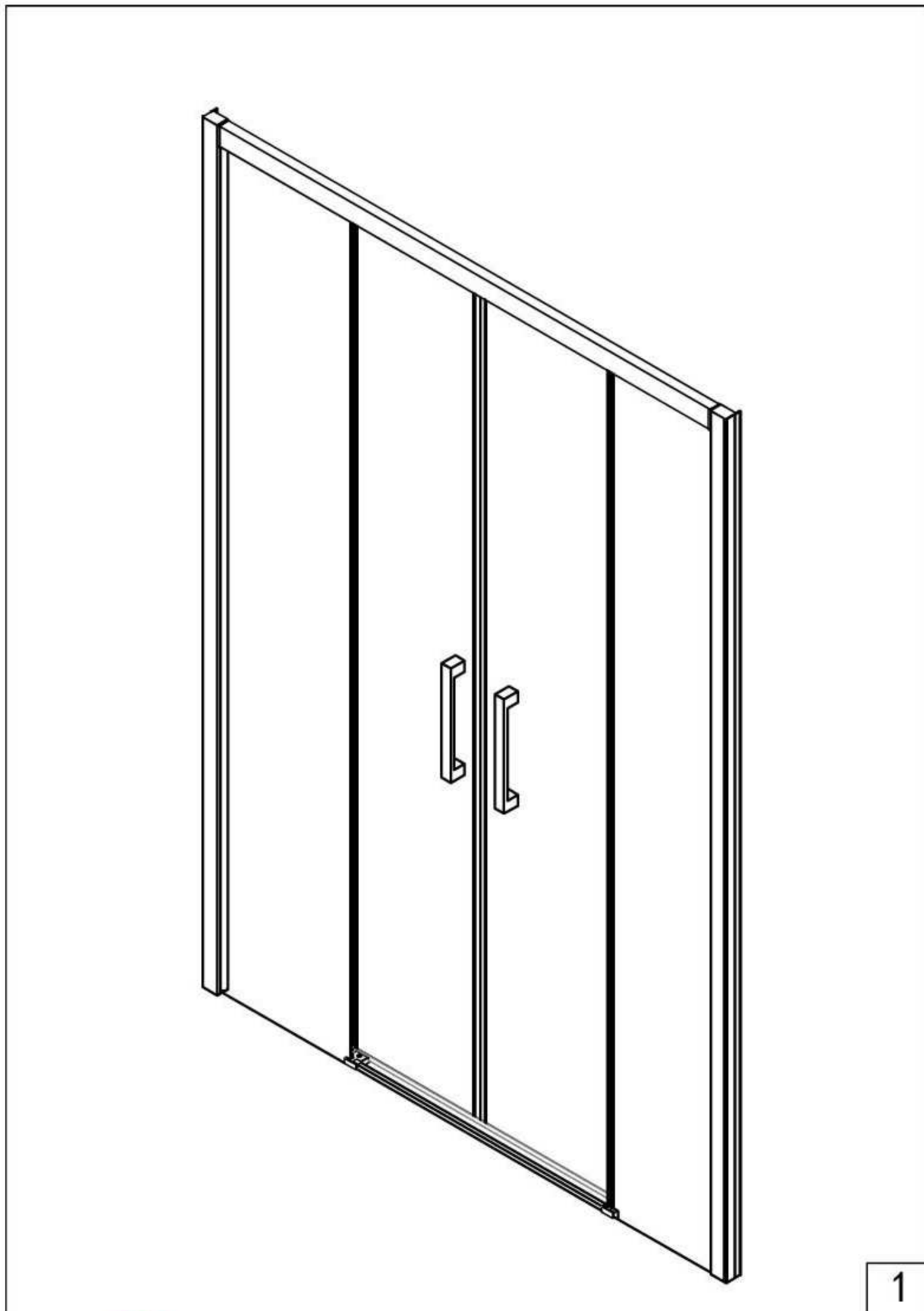




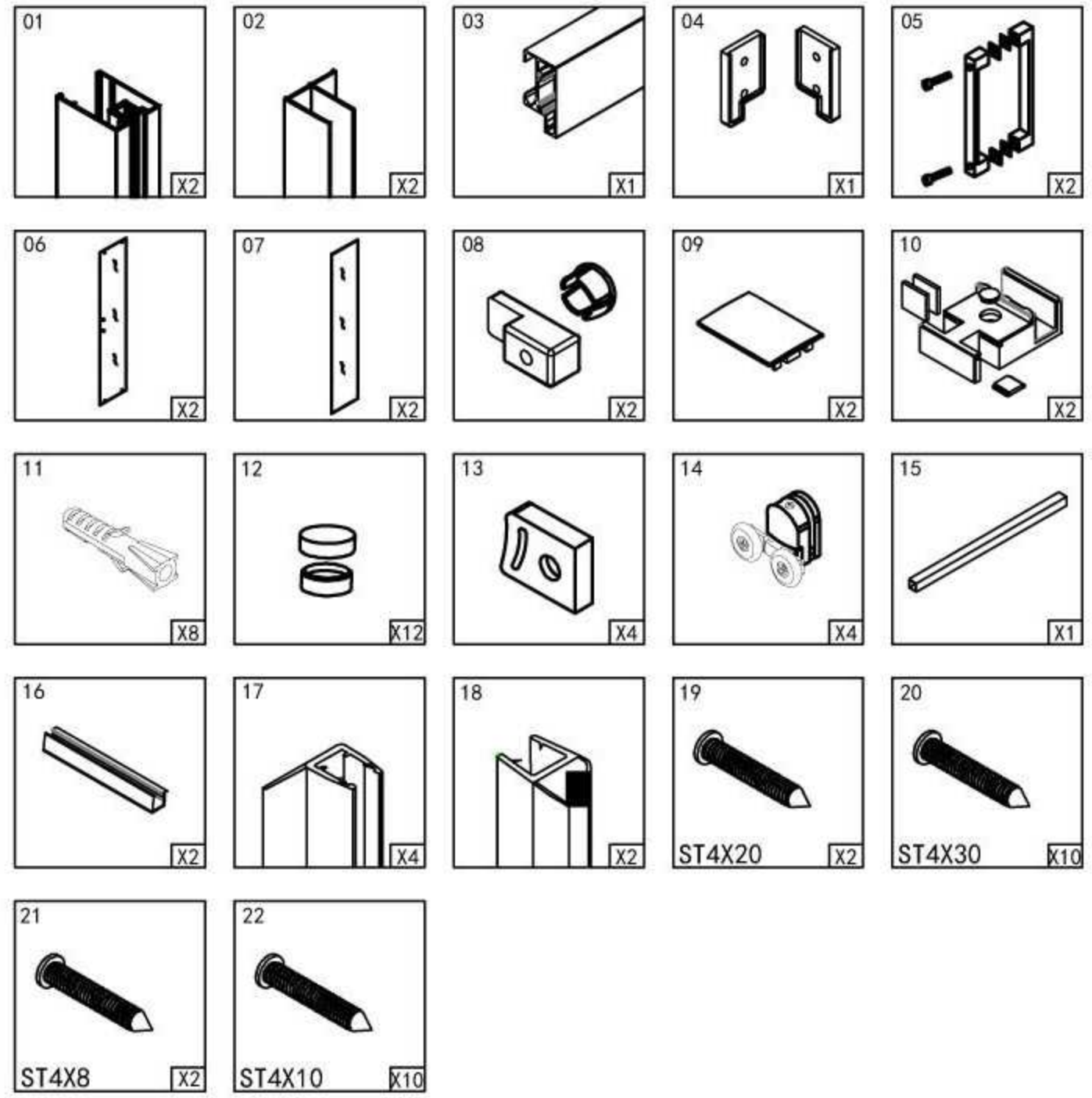
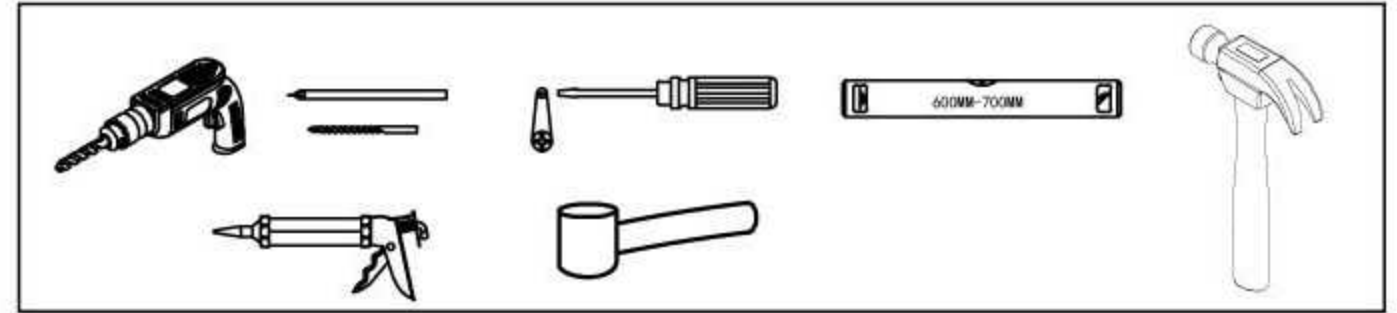




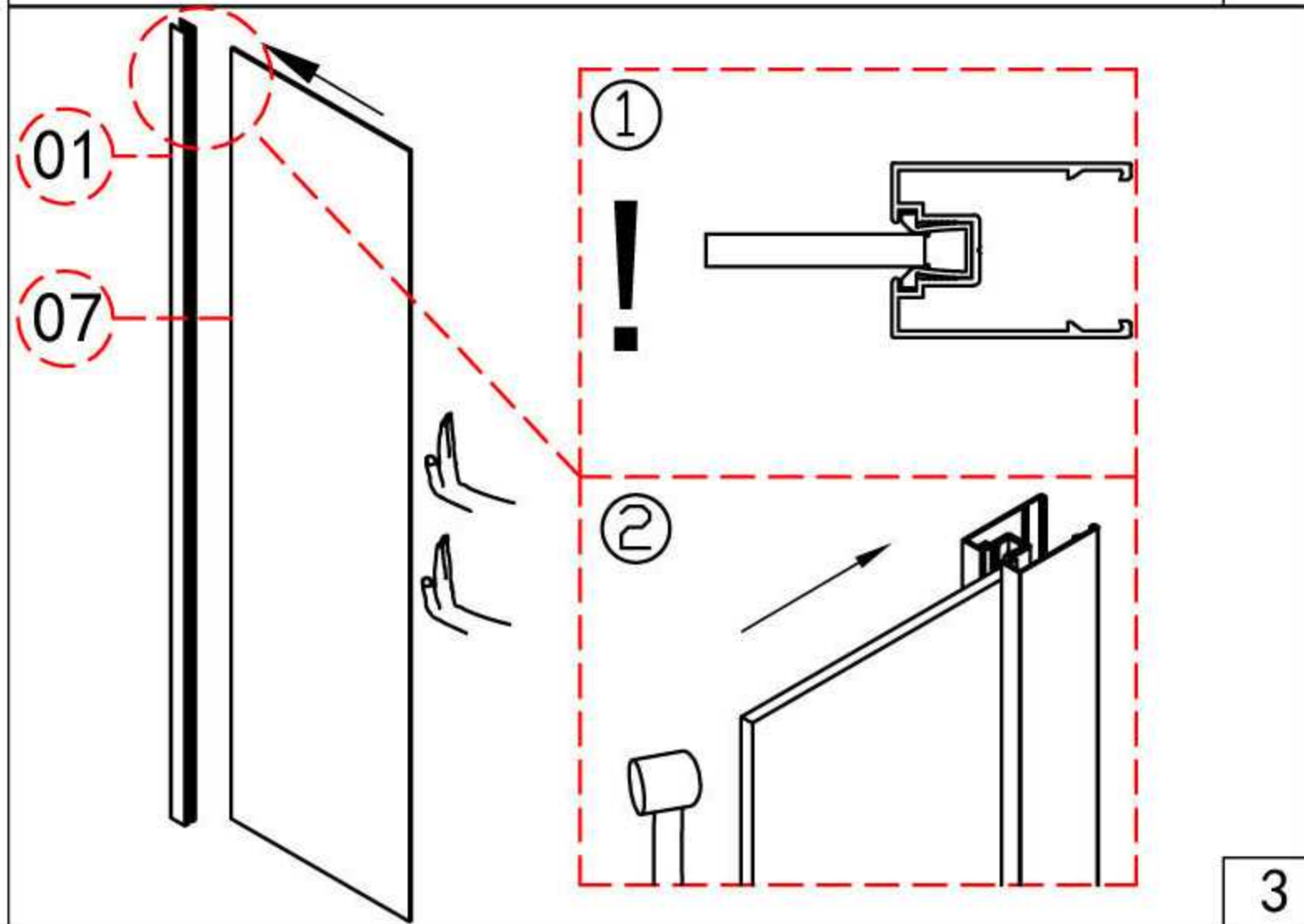




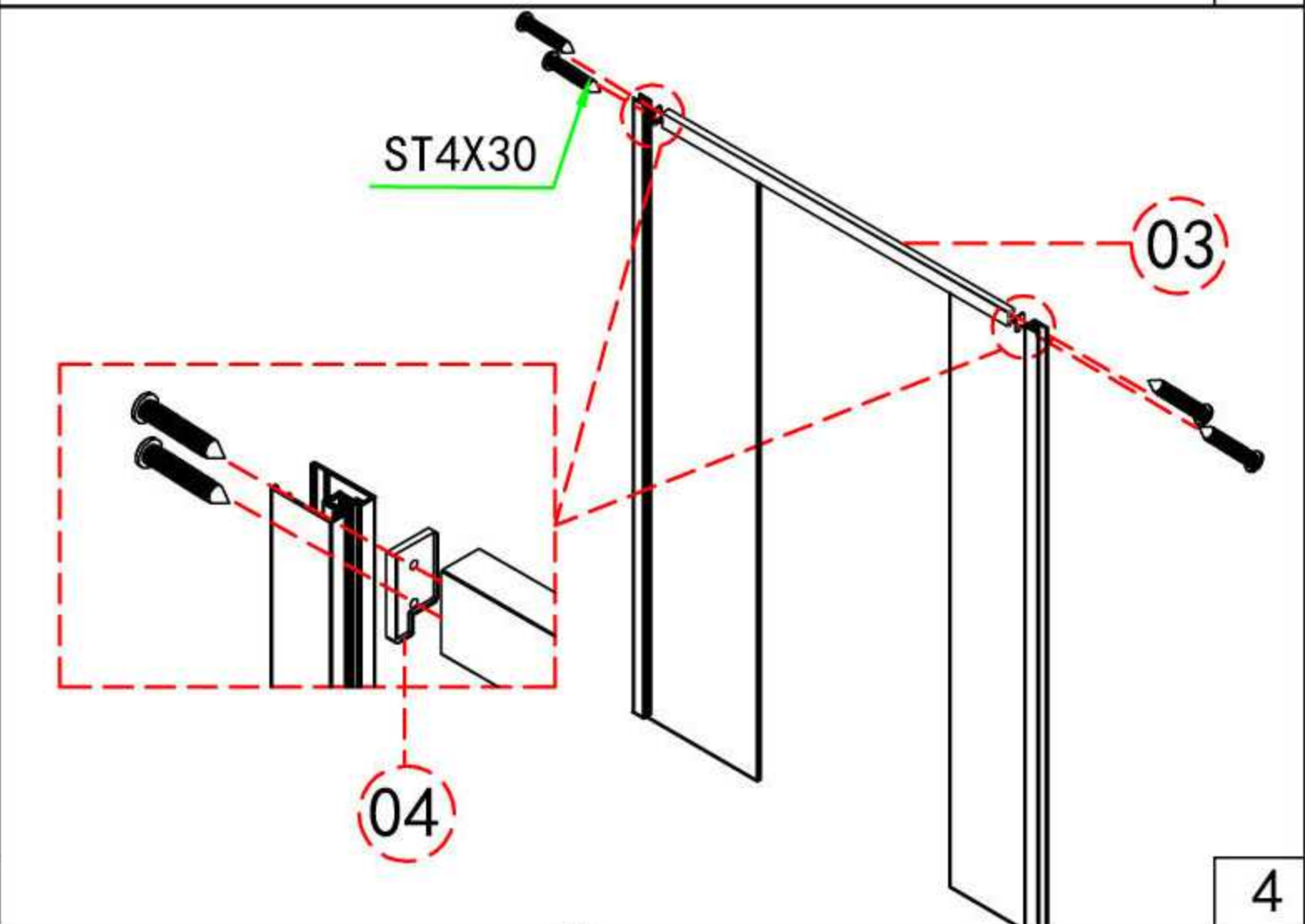
1



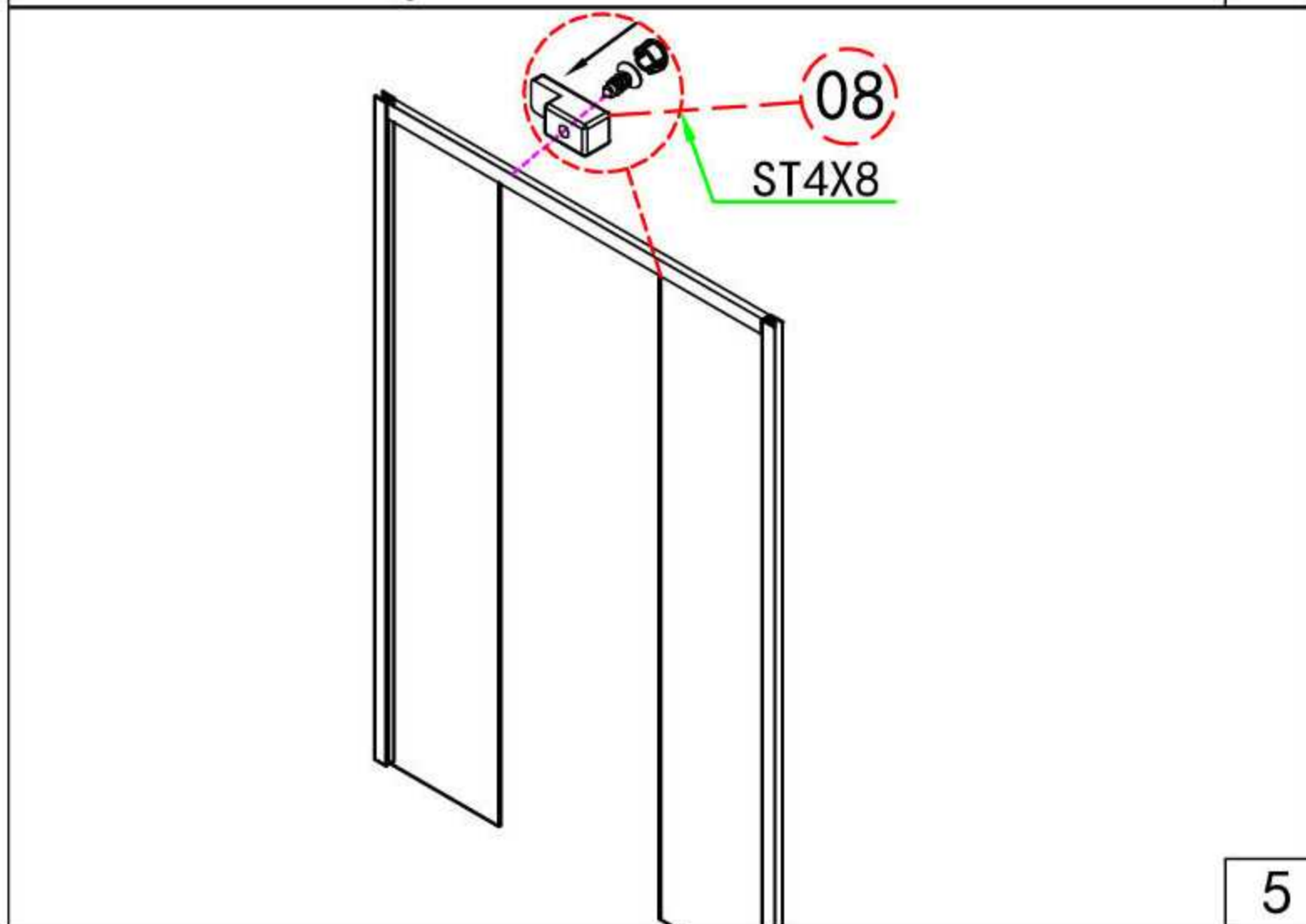
2



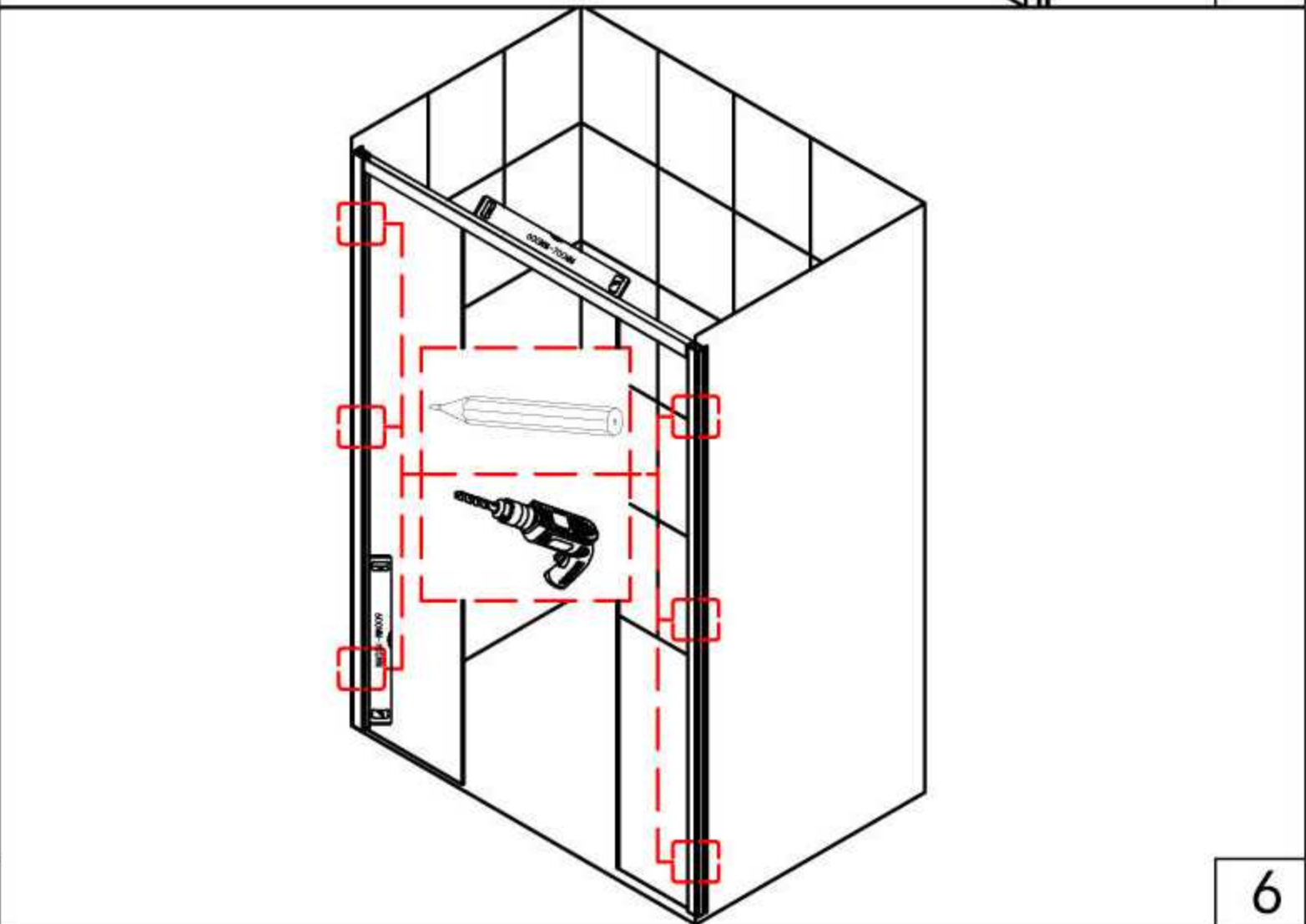
3



4



5



6

